



**MITSUBISHI  
MOTORS**

Drive your Ambition

# ALL-NEW TRITON



## **Body and Equipment Mounting Guide**

24MY Triton Onwards

Date of Publication: 11/2024

## Index

<b>1. Disclaimers</b>	<b>2</b>
<b>2. Weight Specifications</b>	<b>3</b>
<b>3. Instructions of Equipment for Rear Body</b>	<b>7</b>
3.1 Notes regarding Cab Chassis variants .....	7
3.2 Installation of rear lamps .....	7
3.3 Rear registration Plate Holder and Rear Registration Plate Lamps.....	9
3.4 Mud (Wheel) Gaurds .....	10
3.5 Electrical Wiring .....	11
3.6 Clearance between the chassis parts and the installed equipment .....	11
3.7 Coatings and Paint Codes.....	12
3.8 Note for the position of installed equipment .....	12
3.9 Restriction of rear overhang .....	13
3.10 Fuel system .....	13
3.11 Rear differential and Tyre Clearance.....	20
<b>4. Outlines of Chassis-with-Cab</b>	
4.1 General Views .....	21
4.2 Frame Drawings .....	21
4.3 Details of Rear View Mirrors .....	29
4.4 Details of Rear View Camera .....	36
4.5 Details of ADAS system .....	38

# Body and Equipment Mounting Guide

## 1. Disclaimers

This document is intended as a guide to body builders for the Mitsubishi Triton Cab Chassis variants (Guide) which are incomplete vehicles that have been granted compliance approval under the Road Vehicle Standards Act (2018) as partially completed vehicles.

Due to the variability in body types from various manufacturers instructions for each body type cannot be provided and Mitsubishi Motors Australia Limited (MMAL) to the greatest extent possible under law disclaims and excludes any and all liability which may arise because a user of this Guide fails to follow directions in the Guide.

The body builder must ensure that they have the technical knowledge and mechanical skills and experience to complete the work described in this document. It is not suitable for people who are not trained or qualified in the subject matter it deals with. If you do not have the appropriate qualifications and skills, or if you do not have access to appropriate tools and equipment, you may injure yourself or others around you and/or you may cause damage to the Mitsubishi Triton Cab Chassis variants you are working on, including making it unsafe.

The body builders must ensure any works completed must meet the regulations and standards governing driving and vehicle building in Australia as outlined in Road Vehicle Standards Act (2018) for partially completed vehicles or any other relevant legislation and regulation.

Triton cab chassis variants must not be driven on public roads or made available to the market until the vehicle is completed and brought into compliance with the Australian Design Rules.

The information contained in this Guide was correct at the time of going to print. In the interest of development the right is reserved to change specifications, design or equipment at any time without notice and without incurring any obligations. This Guide, or part thereof, may not be reproduced nor translated without our approval

# Body and Equipment Mounting Guide

## 2. Weight Specifications

ITEM	DRIVE	2WD High Rider		4WD	
	BODY SHAPE	Single Cab			
	MODEL	LB2TYJDPDR8	LB2TYLDPDR8	LC2TYJDPDR8	LC2TYLDPDR8
KERB WEIGHT OF CAB & CHASSIS	TOTAL kg.	1,765	1,755	1,860	1,855
	FRONT kg.	1,095	1,090	1,175	1,175
	REAR kg.	670	665	685	680
KERB WEIGHT OF BASE VEHICLE (EQUIPED REAR BODY)	TOTAL kg.	1,930	1,919	2,024	2,019
	FRONT kg.	1,090	1,083	1,168	1,168
	REAR kg.	840	836	856	851
GVM	TOTAL kg.	3,070	3,070	3,200	3,200
	FRONT kg.	1,195	1,190	1,280	1,280
	REAR kg.	1,875	1,880	1,920	1,920
MAX AXLE LOAD	FRONT kg.	1,500	1,500	1,580	1,580
	REAR kg.	1,980	1,980	2,040	2,040
MAX. TOWED TRAILER MASS (ATM)	W/BRAKE kg.	3,500	3,500	3,500	3,500
	W/O BRAKE kg.	750	750	750	750
GROSS COMBINATION MASS (GCM)	kg.	6,210	6,210	6,250	6,250
TYRE SIZE	FRONT & REAR	265/65R17 112H (OP : 265/60R18 110H)			
TYRE LOAD CAPACITY	FRONT & REAR kg.	1,120 (OP:1060)			

# Body and Equipment Mounting Guide

ITEM	DRIVE		2WD High Rider		4WD	
	BODY SHAPE		Double Cab			
	MODEL		LB2TJLDPDR8	LB2TJLHPDR8	LB2TJLPPDR8	LC2TJJDPDR8
KERB WEIGHT OF CAB & CHASSIS	TOTAL	kg.	1,875	1,875	1,895	1,975
	FRONT	kg.	1,125	1,125	1,140	1,205
	REAR	kg.	750	750	755	770
KERB WEIGHT OF BASE VEHICLE (EQUIPED REAR BODY)	TOTAL	kg.	1,990	1,990	2,015	2,090
	FRONT	kg.	1,105	1,105	1,120	1,185
	REAR	kg.	885	885	895	905
GVM	TOTAL	kg.	3,070	3,070	3,070	3,200
	FRONT	kg.	1,200	1,195	1,200	1,280
	REAR	kg.	1,870	1,875	1,870	1,920
MAX AXLE LOAD	FRONT	kg.	1,500	1,500	1,500	1,580
	REAR	kg.	1,980	1,980	1,980	2,040
MAX. TOWED TRAILER MASS (ATM)	W/ BRAKE	kg.	3,500	3,500	3,500	3,500
	W/O BRAKE	kg.	750	750	750	750
GROSS COMBINATION MASS (GCM)		kg.	6,210	6,210	6,210	6,250
TYRE SIZE	FRONT & REAR		265/65R17 112H (OP:265/60R18 110H)	265/60R18 110H	265/60R18 110H	265/65R17 112H (OP:265/60R18 110H)
TYRE LOAD CAPACITY	FRONT & REAR	kg.	1120 (OP:1060)	1060	1060	1120 (OP:1060)

# Body and Equipment Mounting Guide

ITEM	DRIVE		4WD			
	BODY SHAPE		Double Cab			
	MODEL		LC2TJJHPDR8	LC2TJLDPDR8	LC2TJLHPDR8	LC2TJLPPDR8
KERB WEIGHT OF CAB & CHASSIS	TOTAL	kg.	1,985	1,965	1,970	1,995
	FRONT	kg.	1,210	1,195	1,205	1,215
	REAR	kg.	775	770	765	780
KERB WEIGHT OF BASE VEHICLE (EQUIPED REAR BODY)	TOTAL	kg.	2,100	2,080	2,085	2,115
	FRONT	kg.	1,190	1,175	1,185	1,200
	REAR	kg.	910	905	900	915
GVM	TOTAL	kg.	3,200	3,200	3,200	3,200
	FRONT	kg.	1,280	1,270	1,270	1,280
	REAR	kg.	1,920	1,930	1,930	1,920
MAX AXLE LOAD	FRONT	kg.	1,580	1,580	1,580	1,580
	REAR	kg.	2,040	2,040	2,040	2,040
MAX. TOWED TRAILER MASS (ATM)	W/ BRAKE	kg.	3,500	3,500	3,500	3,500
	W/O BRAKE	kg.	750	750	750	750
GROSS COMBINATION MASS (GCM)		kg.	6,250	6,250	6,250	6,250
TYRE SIZE	FRONT & REAR		265/60R18 110H	265/65R17 112H (OP:265/60R18 110H)	265/60R18 110H	265/60R18 110H
TYRE LOAD CAPACITY	FRONT & REAR	kg.	1060	1120 (OP:1060)	1060	1060

# Body and Equipment Mounting Guide

ITEM	DRIVE		4WD		4WD	
	BODY SHAPE		Double Cab		Club Cab	
	MODEL		LC2TJLMPDR8	LC2TJLNPDR8	LC2TCJDPDR8	LC2TCLDPDR8
KERB WEIGHT OF CAB & CHASSIS	TOTAL	kg.	1,970	1,995	1,955	1,950
	FRONT	kg.	1,205	1,215	1,205	1,200
	REAR	kg.	765	780	750	750
KERB WEIGHT OF BASE VEHICLE (EQUIPED REAR BODY)	TOTAL	kg.	2,085	2,115	2,085	2,080
	FRONT	kg.	1,185	1,200	1,190	1,185
	REAR	kg.	900	915	895	895
GVM	TOTAL	kg.	3,080	3,080	3,200	3,200
	FRONT	kg.	1,285	1,295	1,295	1,290
	REAR	kg.	1,795	1,785	1,905	1,910
MAX AXLE LOAD	FRONT	kg.	1,580	1,580	1,580	1,580
	REAR	kg.	2,000	2,000	2,040	2,040
MAX. TOWED TRAILER MASS (ATM)	W/ BRAKE	kg.	3,500	3,500	3,500	3,500
	W/O BRAKE	kg.	750	750	750	750
GROSS COMBINATION MASS (GCM)		kg.	6,200	6,200	6,250	6,250
TYRE SIZE	FRONT & REAR		265/60R18 110H	265/60R18 110H	265/65R17 112H (OP:265/60R18 110H)	
TYRE LOAD CAPACITY	FRONT & REAR	kg.	1060	1060	1,120 (OP:1060)	

# Body and Equipment Mounting Guide

## 3. Instructions of Equipment for Rear Body

### 3.1 Notes regarding Cab Chassis variants

Mitsubishi Triton Cab Chassis variants are incomplete vehicles that have been granted compliance approval under the Road Vehicle Standards Act (2018) as partially completed vehicles. The cab chassis variants do not comply with the following Australian Design Rules requirements:

The "Position" requirements of ADR 13/00 for the following Lighting and Light Signalling devices:

- Reversing Lamps (ADR 1/00) – as per ADR 13/00 Appendix A clause 6.4.4
- Rear Direction Indicators (ADR 6/00) – as per ADR 13/00 Appendix A clause 6.5.4
- Rear Reflex Reflectors (ADR 47/00) – as per ADR13/00 Appendix A clause 6.14.4
- Devices for Illumination of Rear Registration Plates (ADR 48/00) – as per ADR 13/00 Appendix A clause 6.8.4

- Rear Position (Side) Lamps (ADR 49/00) – as per ADR 13/00 Appendix A clause 6.10.4
- Stop Lamps (ADR 49/00) – as per ADR 13/00 Appendix A clause 6.7.4

Wheel Guards (Mudguards) for the rearmost wheels as per ADR 42/05 clause 17.2

Provision for rear Registration Plate as per ADR 61/03 clause 9.1.

Triton cab chassis variants must not be driven on public roads or made available to the market until the vehicle is completed and bought into compliance with the abovementioned Australian Design Rules.

Guidance is provided below that will enable the above mentioned Australian Design Rule requirements be met.

### 3.2 Installation of Rear Lamps

Mitsubishi Triton Cab Chassis vehicles are supplied with functioning rear tail lights positioned to assist in the safe movement of the vehicle prior to fitment of a rear body.

The rear lamps must be repositioned onto a rear body according to the requirements of ADR 13/00 as nominated in section 3.1. This can be achieved by positioning the supplied lamps according to the following guide:



# Body and Equipment Mounting Guide

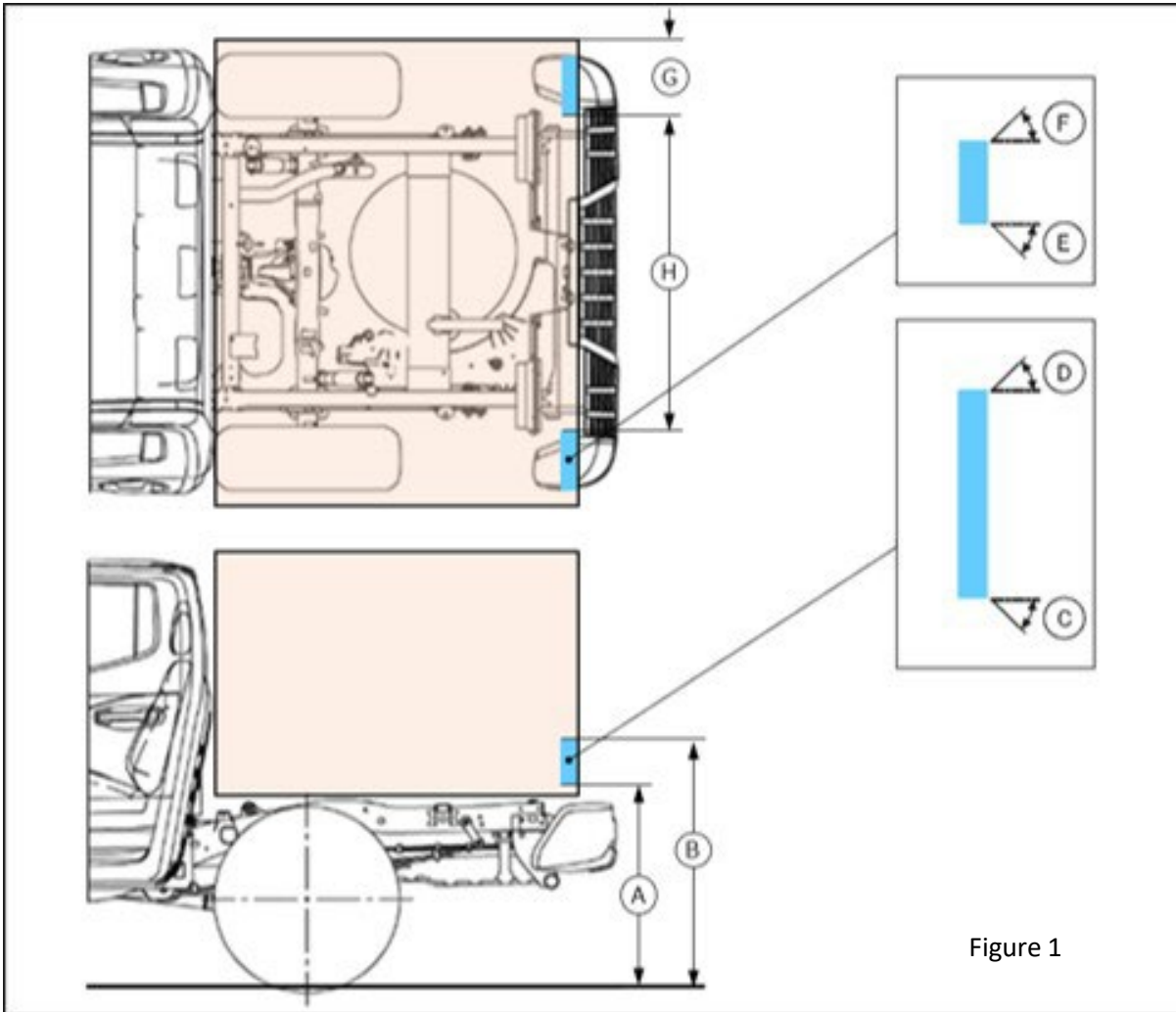


Figure 1

	Description	Dimension
A	Minimum distance from the ground to lower edge of the lamps	350mm
B	Maximum distance from the ground to the upper edge of the lamps	
	Tail lamp	1,500mm
	Stop lamp	1,500mm
	Rear fog lamp combined with rear comb lamp	1,200mm
	Rear fog lamp <b>NOT</b> combined with rear comb lamp	1,000mm
C	Minimum unobstructed visibility angle downwards of the lamp	15°
D	Minimum unobstructed visibility angle upwards of the lamp	15°
E	Minimum outboard unobstructed visibility angle of the lamp	80°
F	Minimum inboard unobstructed visibility angle of the lamp	45°
G	Maximum distance from the widest point of the vehicle to the inner edge of the lamps	400mm
H	Minimum distance between the inner edges of the lamps	600mm
	Rear fog lamp position shall be from the symmetry or the right side	-
	Minimum distance between rear fog lamp and stop lamp	100mm

# Body and Equipment Mounting Guide

Where the supplied lamps are utilised it is not necessary to reuse the bracket that temporarily mounted the lamps to the chassis for transportation purposes.

The harness that supplies electricity to the rear lamps must be fastened securely to the Frame Cross member as required.

If the supplied rear lamps are not utilised, then the lamps installed must comply with the photometric requirements of the relevant ADR's nominated in section 3.1 in addition to the "Position" requirements nominated in ADR 13/00.

## 3.3 Rear Registration Plate Holder and Rear Registration Plate Lamps

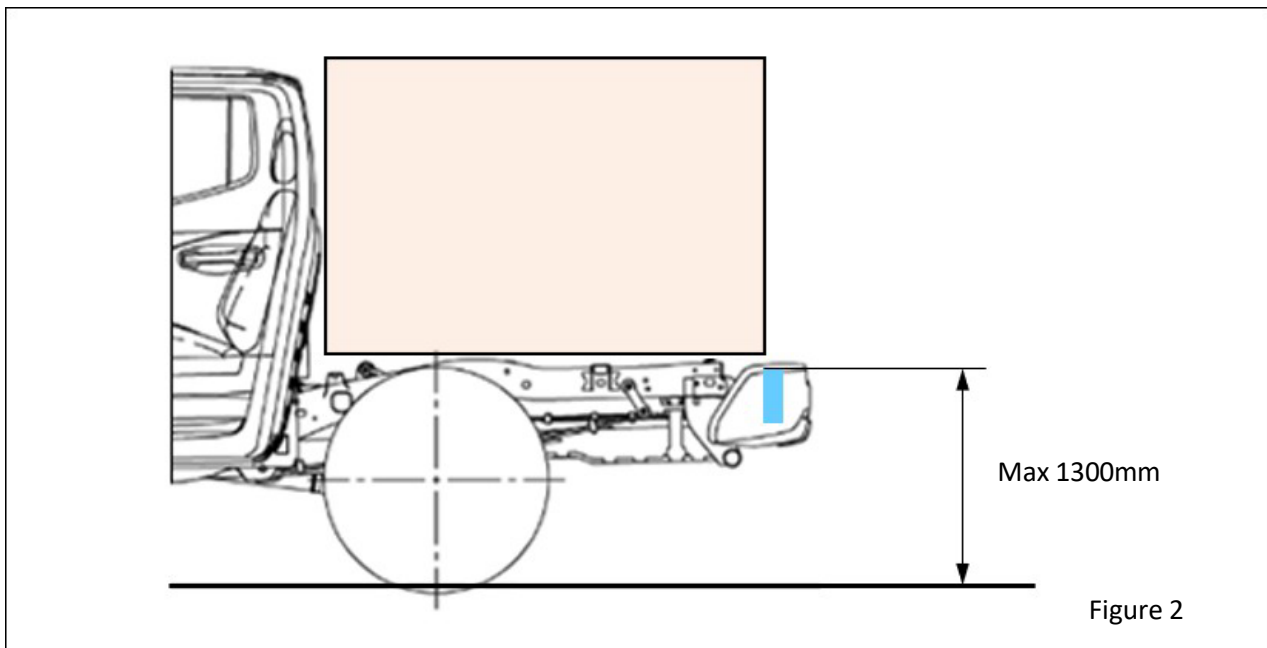
The supplied Rear Registration Plate Holder (which incorporates rear registration plate lamps) must be positioned to meet the requirements of ADR 61/03, Clause 9.1.

This can be achieved by ensuring the holder is positioned to the rear of the body such that when a licence plate is attached to it, the top of the licence plate is not more than 1300mm from the ground.

No part of the vehicle can obscure visibility of the licence plate.

For vehicles not utilising the Rear Registration Plate Holder provided, the plate holder and lamp must comply with the following ADR and 'in use' requirements:

- the Plate is able to be fitted in accordance with ADR 61/03, clause 9.1.
- the plate is not obscured by any part of the vehicle and
- the lamp(s) meet the requirements of ADR 13/00 and ADR 48/00.



# Body and Equipment Mounting Guide

## 3.4 Mud (Wheel) Guards

The rear body must be fitted with Wheel Guards (or Mud Guards) that comply with the requirements of ADR 42/05 clause 17.2.

The following summarises the ADR requirements that apply to Triton (as an NA category commercial vehicle). The complete text of ADR 42/05 clause 17.2 must be consulted in order to ensure the rear body design is compliant.

The Wheel Guards must be designed to protect other road users against thrown-up stones, mud, ice, snow and water and to reduce for

those users the dangers due to contact with the moving wheels.

The recommended dimensions for wheel guards on conversions are outlined in the following figure 3.

The wheel guards may consist of several components, provided that no gaps exist between or within the individual parts when assembled; and the wheel guards must be securely attached. However they may be detachable either as a unit or in parts.

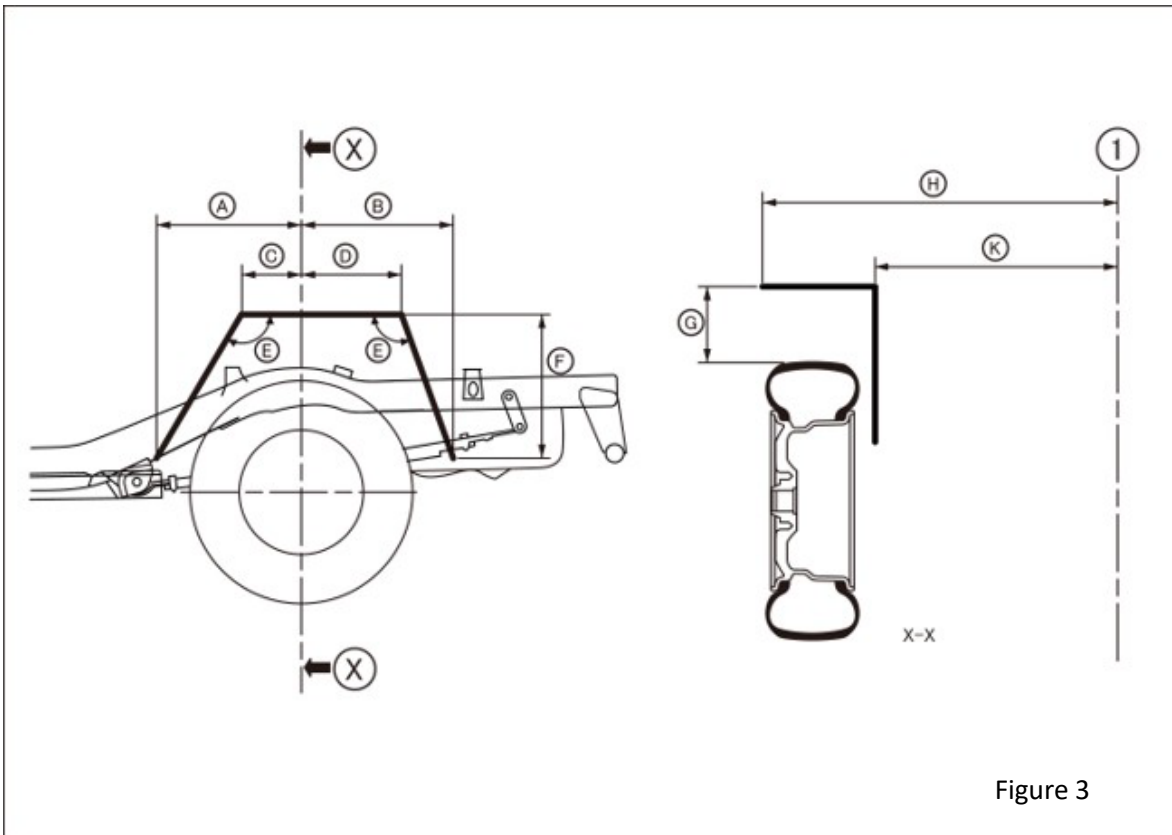


Figure 3

Recommended dimensions (Hard Tray Wheel Guard Dimensions)			
Dimension	265/65R17,265/60R18	Dimension	265/65R17,265/60R18
A	434mm	F	683mm
B	525mm	G*	239mm
C	227mm	H	920mm
D	335mm	K	508mm
E	Fr: 120°, Rr: 110°		
I	Centre line of vehicle		
X	Section through Centre of Wheel Guard		

\*Dimension G is to the bottom of the swage

# Body and Equipment Mounting Guide

## 3.5 Electrical Wiring

For safety of the electrical circuit, a fusible link is provided in the harness near the positive battery terminal to prevent the circuit from causing a fire in the event of a short circuit.

- a) Extension of wiring
  - If it is necessary to extend the electrical wire, use a wire of the same cross-sectional area and colouring as those of the existing wire. Apply a protective covering such as a corrugated tube and a vinyl tube around the wire. The extension wire must be connected with an insulating material. If the connecting portion is exposed to the open air, provide waterproofing to the portion. Never connect the wires by twisting. The extension wire must be laid along the rigid parts and the frame in such a way as not to hang loose or touch any dangerous parts such as metal edges, brake pipes, and fuel lines.
  - Clamp the wire down securely so as not to contact rotating parts, vibrating parts, or any sharp edges of the chassis and the equipment. A grommet shall be

attached to any opening in metal parts where the wire passes through to prevent the wire from short-circuiting due to damage to the wire covering.

- b) Wiring for power supply to the rear body
  - If the power supply cable is attached directly on the battery terminal, fasten the cable carefully to the terminal in such a way as to prevent loosening or damage to the terminal. Pay close attention to the insulation coverage around the wiring to prevent the lead cable from being damaged. A fuse must be included in the cable to protect the wiring. Locate the fuse as close as possible to the battery. Capacity of the fuse must be selected appropriately for the inrush current as well as the rated current of the electrical loads.
  - If the power supply is taken from the cab harness utilise the accessory socket. Use of other circuits could result in overload and is not permitted.

Capacity of accessory socket:120W

## 3.6 Clearance between the chassis parts and the installed equipment

- a) Around the Engine
  - The clearance around the engine must be 25 mm or more.
  - If the airflow to the rear part, under part, and side part in the engine compartment is insufficient, the rise in temperature in the engine compartment may result in engine malfunction and over-heating of the fuel supply system and the electrical wiring.  
  
Pay attention to the ventilation in the engine compartment.
- b) Around the Transmission
  - When the transmission assembly is removed from the engine on the vehicle, it needs to be moved rearward.

Any equipment installed must allow for the transmission to be moved:

Rearward by about 100 mm

The clearance around the transmission assembly must be 25 mm or more.

- c) Around the rear axle
  - The clearance around the rear axle must be 35mm or more.
  - Refer to Section 3.11 for the full bump position of the rear axle.
- d) Brake hose
  - Maintain clearance of at least 50mm around the brake hoses connected to the front and the rear wheels in all conditions including full suspension stroke and full steering operation.

# Body and Equipment Mounting Guide

- e) Exhaust pipe and muffler
- Prevent any equipment from thermal damage from the exhaust pipe and the muffler as well as interference with them. Secure at least the clearance specified in the table between each part and the exhaust system:

Wire harness	150 mm
Rear body floor	100 mm
Frame	25 mm
Parking brake control cable	50 mm
Rear mudguard	50 mm

## 3.7 Coatings and Paint Codes

- a) Body colours

Name	Code	Number	Coating material supplier
White solid	W19	AC11319	THAI KANSAI PAINT CO.,LTD.
White diamond	W85	CSW10085	THAI KANSAI PAINT CO.,LTD.
Jet Black mica	X37	CMX10037	THAI KANSAI PAINT CO.,LTD.
Yamabuki Orange metallic	M14	CSM10014	THAI KANSAI PAINT CO.,LTD.
Impulse Blue metallic	D23	CSD10023	NIPPON PAINT (THAILAND) CO., LTD.
Blade Silver metallic	U33	CKU10033	NIPPON PAINT (THAILAND) CO., LTD.
Graphite grey metallic	U28	CSU10028	NIPPON PAINT (THAILAND) CO., LTD.
Deep Bronze metallic	C17	CSC10017	NIPPON PAINT (THAILAND) CO., LTD.
Red solid	P63	CSP10063	NIPPON PAINT (THAILAND) CO., LTD.

- b) Note for over-coating of cab
- If applying a different coating over the original standard colour coating, remove plastic and rubber parts beforehand in order to prevent these parts from being damaged.
- c) Note for curing of coating
- Keep the temperature of the coated surface of other plastic and rubber parts below 80°C in order to prevent these parts from being damaged. If the surface temperature may exceed 80°C, apply a heat insulating treatment to those parts.

## 3.8 Note for position of installed equipment

Where installing the rear body and related equipment in the vehicle, it must be so constructed that weight distribution and the height of the centre of gravity must meet the following condition:

$$\frac{W_r/W}{H/L} > 1.3$$

- W<sub>r</sub> : Rear axle load  
W : Vehicle Kerb mass  
H : Height of the vehicle centre of gravity  
L : Wheelbase

# Body and Equipment Mounting Guide

## 3.9 Restriction of rear overhang

The rear overhang must be as follows.

- Max. : 1/2 or less of wheelbase.
- Min. : Rear overhang without body work.  
( Refer to section 4.1 General Views )

## 3.10 Fuel System

- a) More than 20mm clearance from Fuel Tank or Other Fuel System Parts shall be kept.
- b) When Filler Neck is assembled, Filler Hose, Levelling Hose and Vapour Hose should be assembled without kinks or twists.
- c) Hose connections must be secure.
- d) Securely fit the fuel filler cap tether to body panel as in case A or B.

### Fuel Filler TYPE 1 – Arrangement common with pick up models

Filler Neck shall be assembled by 4 bolts (M6).

Filler Neck layout shall be positioned as follows to keep fuel filling performance and prevent fuel leakage. A bracket or panel shall be added to fix the fuel filler neck.

Hoses shall be inserted securely to the mated pipe and tightened with a clamp and must be free from folds, twists, crushing or interference with other parts when installed.

# Body and Equipment Mounting Guide

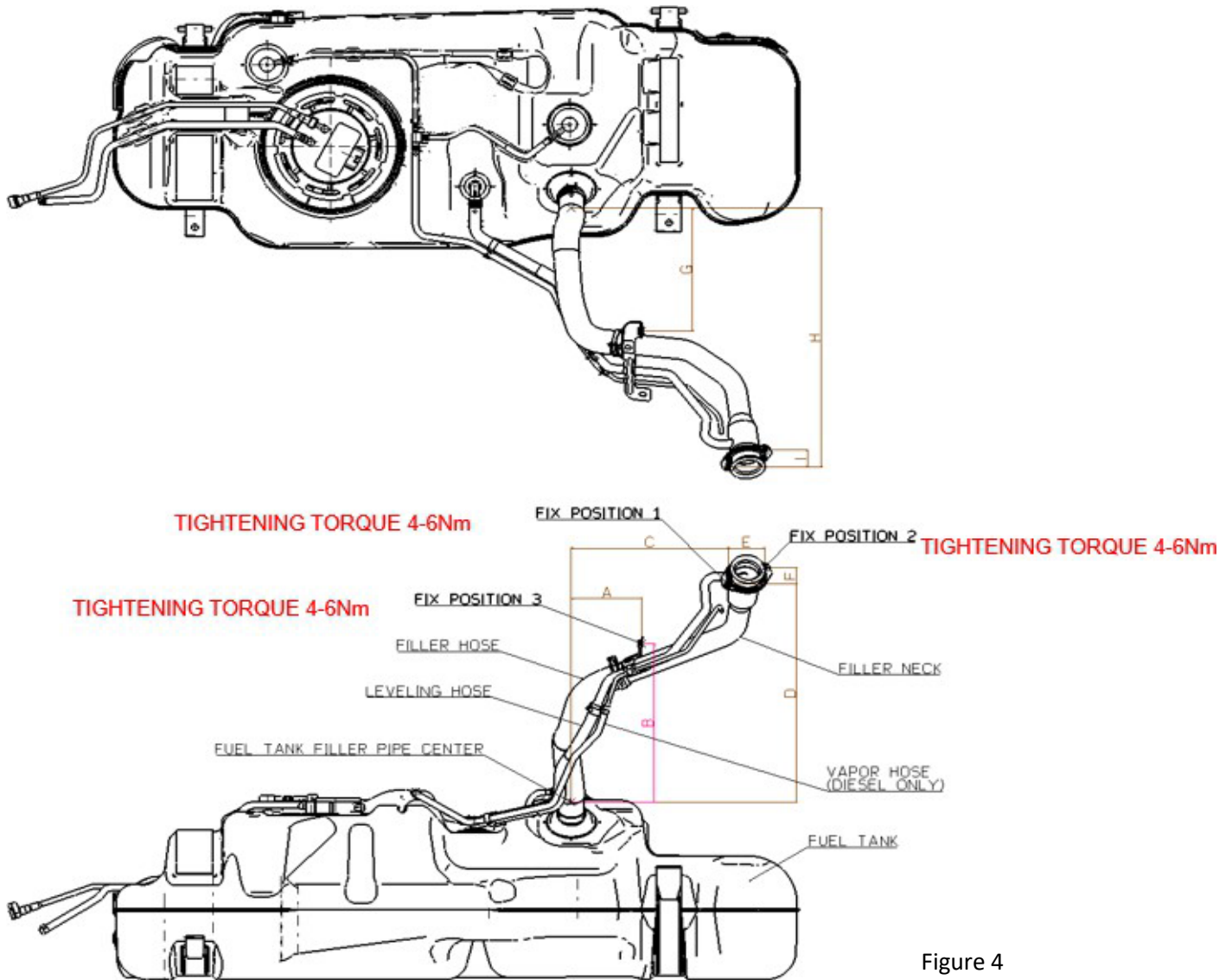


Figure 4

Dimension Position	D/CAB	S,C/CAB
A	117 mm	-46 mm
B	275 mm	161 mm
C	259 mm	-21 mm
D	379 mm	302 mm
E	60 mm	59 mm
F	30 mm	32 mm
G	213 mm	345 mm
H	451 mm	458 mm
I	30 mm	28 mm

# Body and Equipment Mounting Guide

## Fuel Filler TYPE 2 – Arrangement common with Genuine Accessory (Aluminum tray / Steel tray)

This Layout is common to D/CAB, S/CAB,C/CAB

Filler Neck shall be assembled by 4 bolts (M6).

Filler Neck layout shall be positioned as follows to keep fuel filling performance and prevent fuel leakage. A bracket or panel shall be added to fix the fuel filler neck.

Hoses shall be inserted securely to the mated pipe and tightened with a clamp and must be free from folds, twists, crushing or interference with other parts when installed.

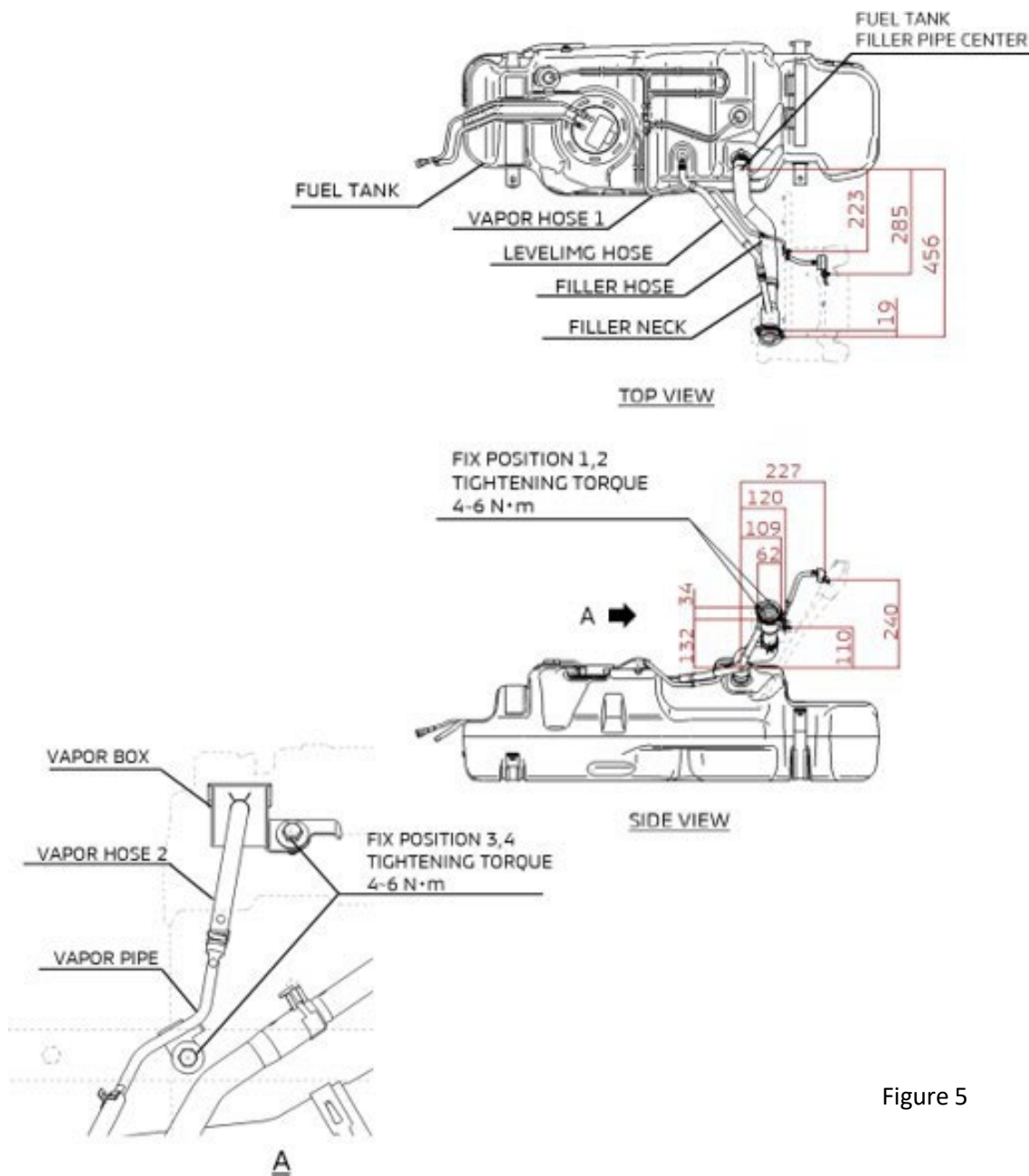


Figure 5



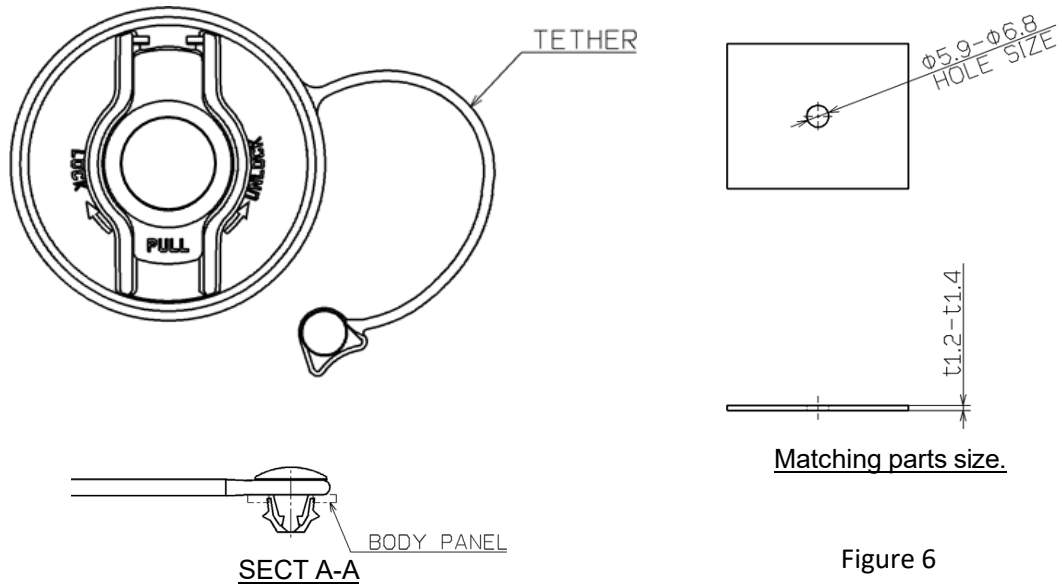
# Body and Equipment Mounting Guide

## Fuel Cap

The Fuel cap shall be fixed to a bracket or body panel.

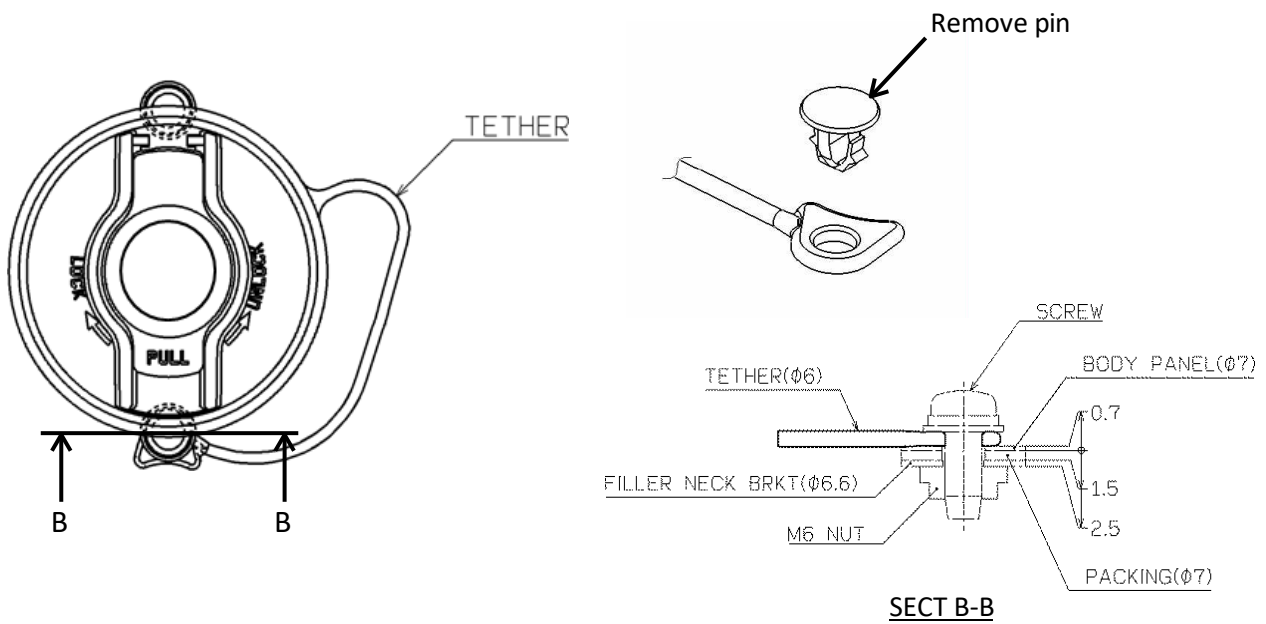
### Case A

In case of fixing the tether pin to body panel or bracket



### Case B

In case of fixing the tether on filler neck bracket by screw.



# Body and Equipment Mounting Guide

## Urea Filler Pipe TYPE 1 – Arrangement common with pick up models

The Urea Filler Neck shall be assembled by 3 bolts (M6 x2, M8 x1)

Filler Neck layout shall be positioned as follows to keep urea filling performance and prevent urea leakage.

A bracket or body panel should be added to fix the urea filler neck.

Hoses shall be inserted securely to the mated pipe and tightened with a clamp and must be free from folds, twists, crushing or interference with other parts when installed.

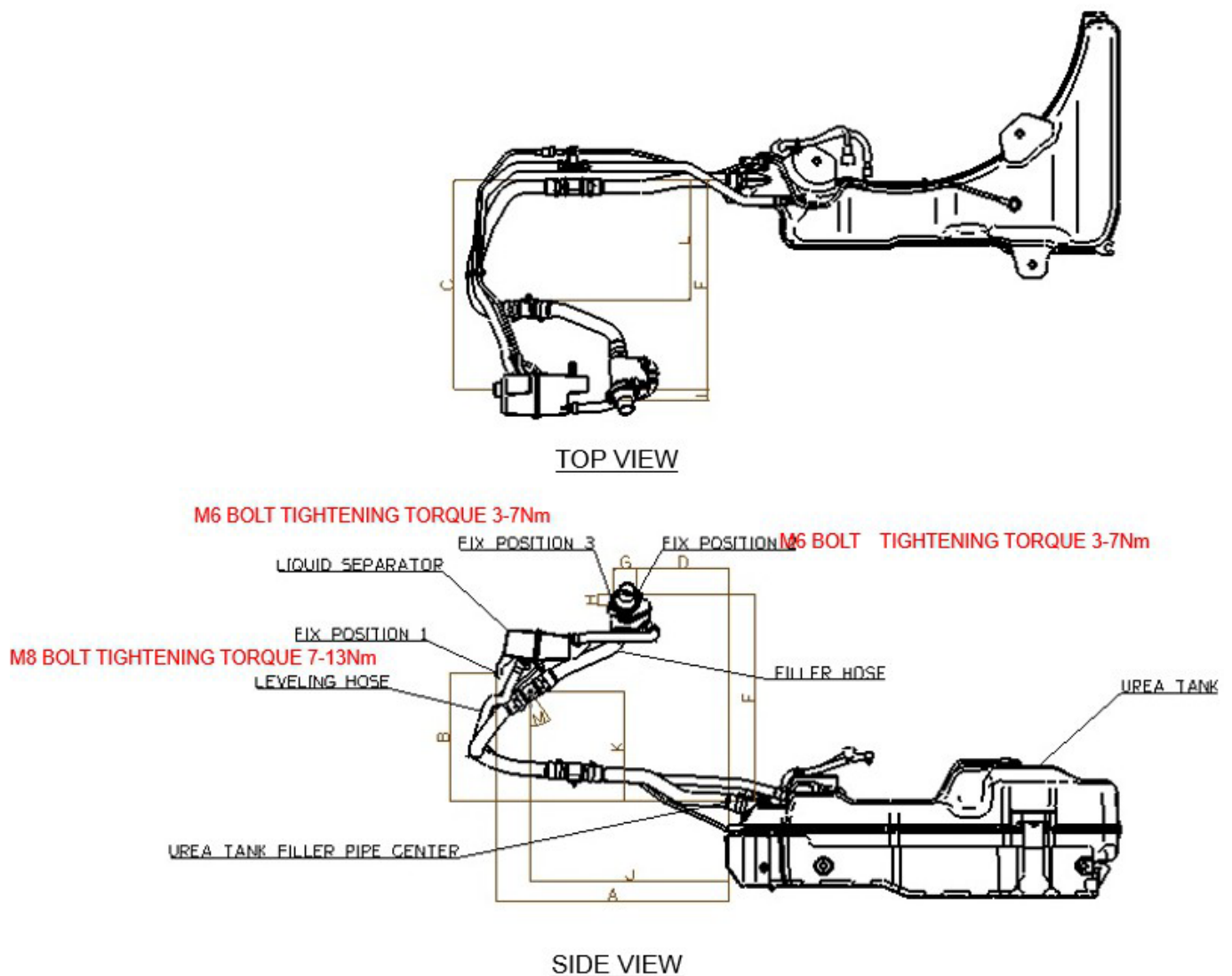


Figure 8

# Body and Equipment Mounting Guide

	Dimension Position	D/CAB	S,C/CAB
M8	A	537 mm	707 mm
	B	297 mm	195 mm
	C	483 mm	513 mm
M6	D	213 mm	492 mm
	E	478 mm	404 mm
	F	482 mm	496 mm
M6	G	54 mm	52 mm
	H	27 mm	29 mm
	I	27 mm	26 mm
Square clip	J	458 mm	-
	K	253 mm	-
	L	275 mm	-
	M	35 deg	-

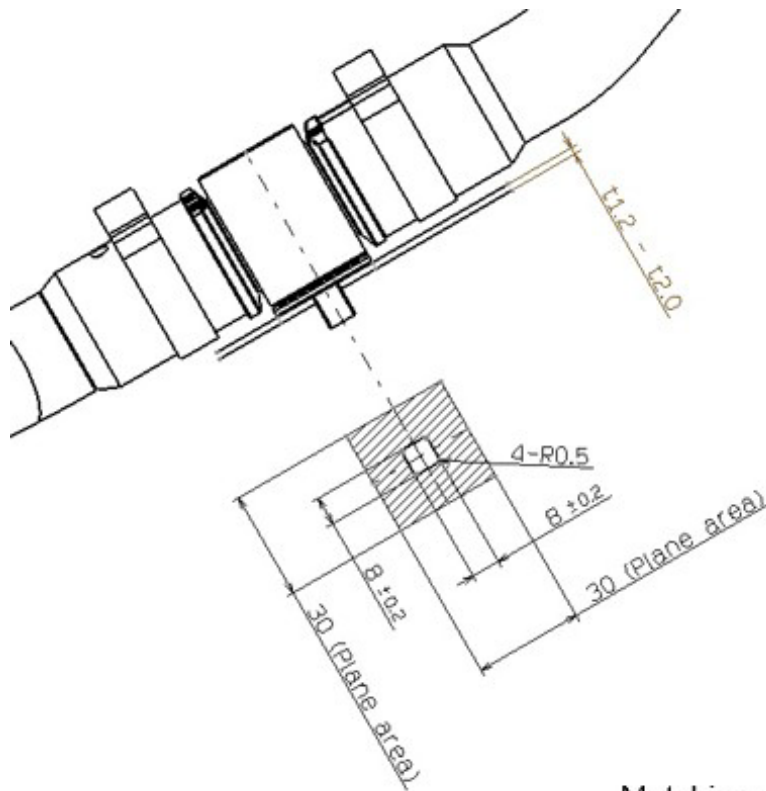


Figure 9

Matching parts size (D/cab only)

# Body and Equipment Mounting Guide

## Urea Filler Pipe TYPE 2 – Arrangement common with Genuine Accessory (Aluminum tray / Steel tray)

This Layout is common to D/CAB, S/CAB,C/CAB

UREA Filler Neck shall be assembled by 4 bolts (M6 x2, M8 x2)

The Filler Neck layout shall be positioned as follows to keep urea filling performance and prevent urea leakage.

A bracket or body panel shall be added to fix the urea filler neck.

Hoses shall be inserted securely to the mated pipe and tightened with a clamp and must be free from folds, twists, crushing or interference with other parts when installed

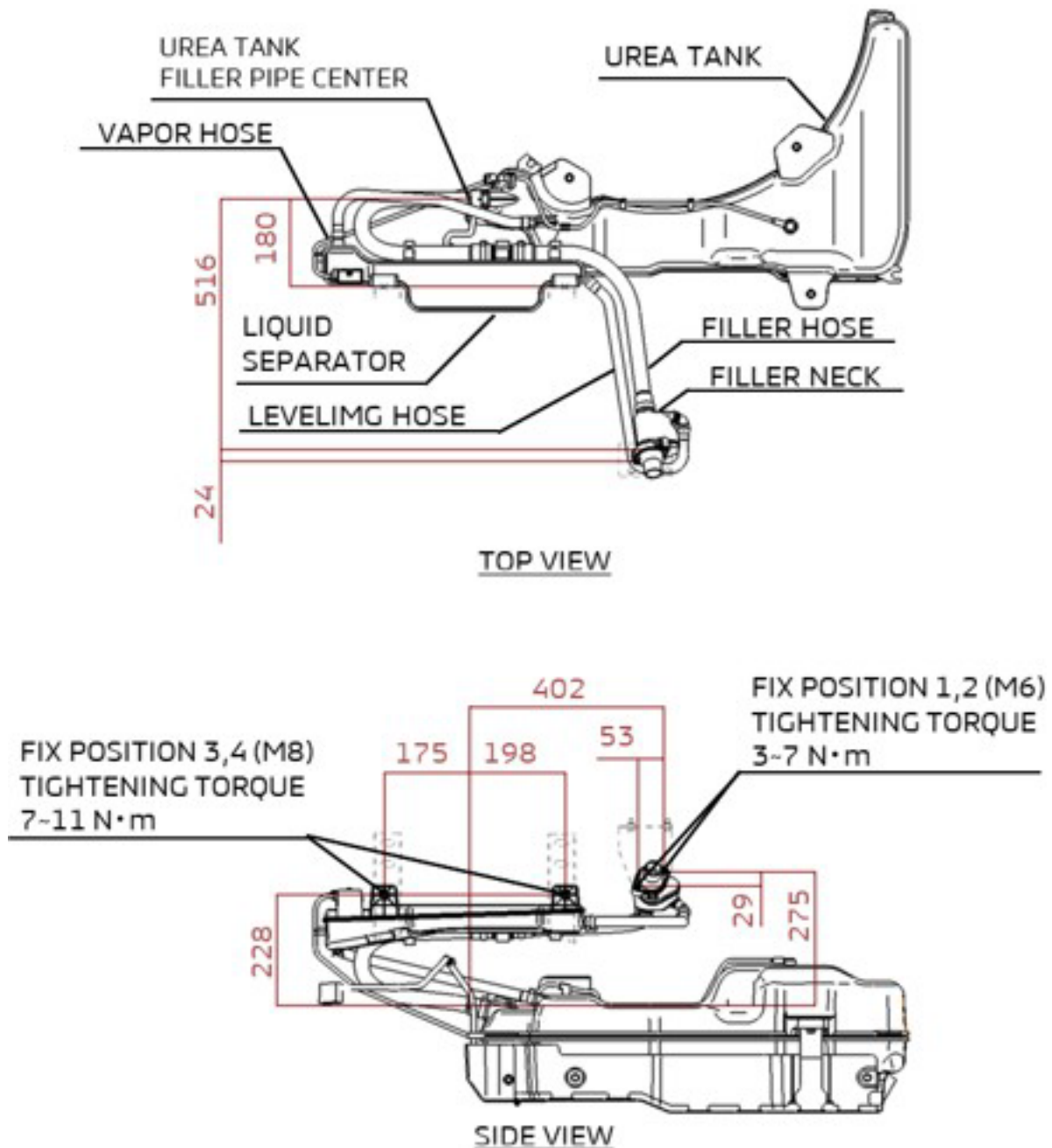


Figure 10

# Body and Equipment Mounting Guide

## 3.11 Rear Differential and Tyre Clearance

- 4WD/2WD HIGH RIDER

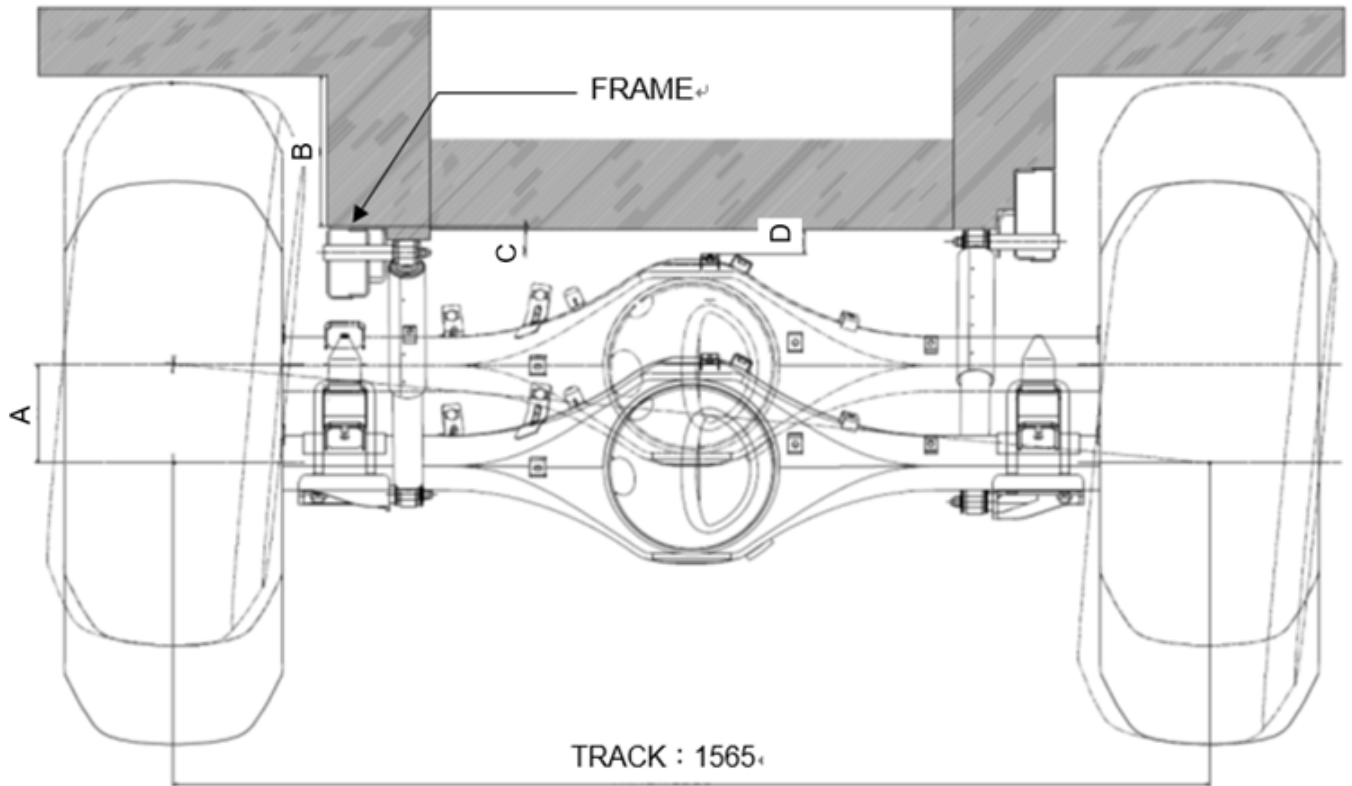


Figure 11

	Standard Suspension	Heavy Duty Suspension
A	135	120
B	230	215
C	5	20
D	35	35

# Body and Equipment Mounting Guide

## 4. Outlines of Chassis with Cab

### 4.1 General Views

#### 2WD HIGH RIDER & 4WD Double Cab (GLX/GLS)

Drive	Body Type	Model-Grade	Steering
2WD H/R	Double Cab	LB2TJLDPDR8	RHD
		LB2TJLHPDR8	
4WD		LC2TJJDPDR8	
		LC2TJJHPDR8	
		LC2TJLDPDR8	
		LC2TJLHPDR8	
		LC2TJLMPDR8	
		LC2TJLNPDR8	

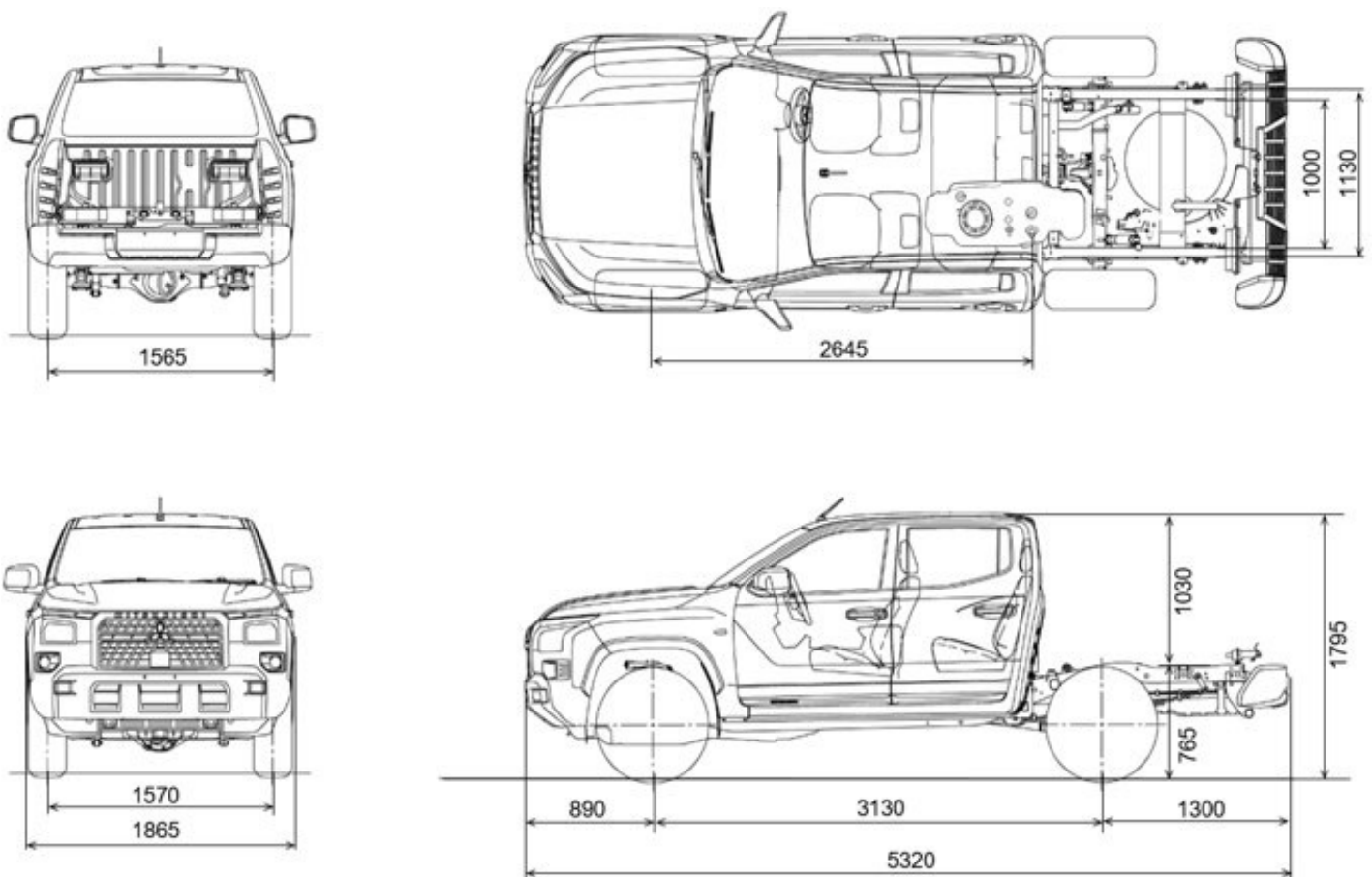


Figure 12

# Body and Equipment Mounting Guide

## Recommended dimension of completed vehicle.

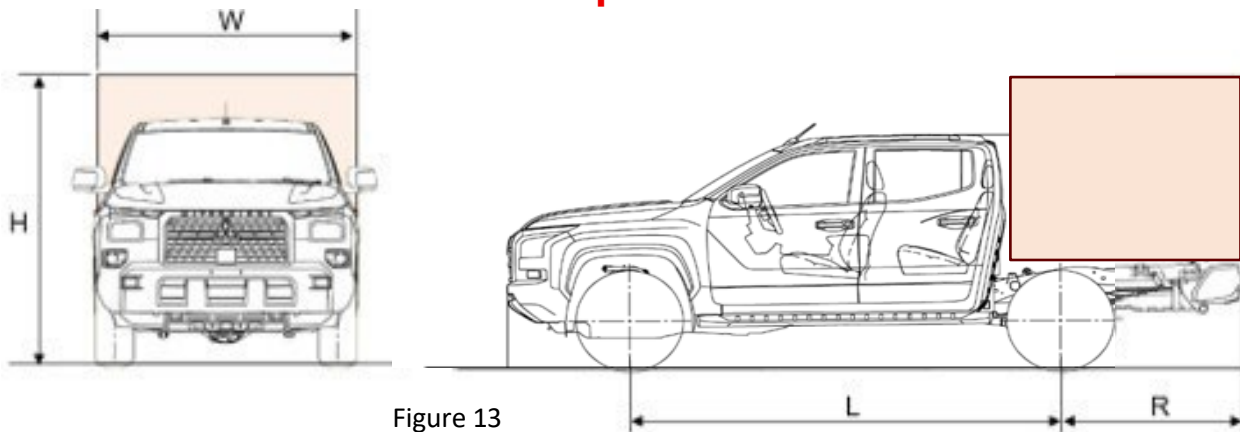


Figure 13

R	Maximum rear overhang	1300 mm (*1) or less	*1: 1425mm
W	Maximum body width	1865 mm (*2) or less	*2: 1945mm
H	Maximum overall height (unladen)	2300 mm or less	

Note: \*1,\*2) In case of Genuine Accessory (Aluminium tray / Steel tray), shown dimension is maximum.

More details should be complied with "3. Instructions of Equipment for Rear Body".

### 2WD HIGH RIDER & 4WD Double Cab (GSR)

Drive	Body Type	Model-Grade	Steering
2WD H/R	Double Cab	LB2TJLPPDR8	RHD
4WD		LC2TJLPPDR8	

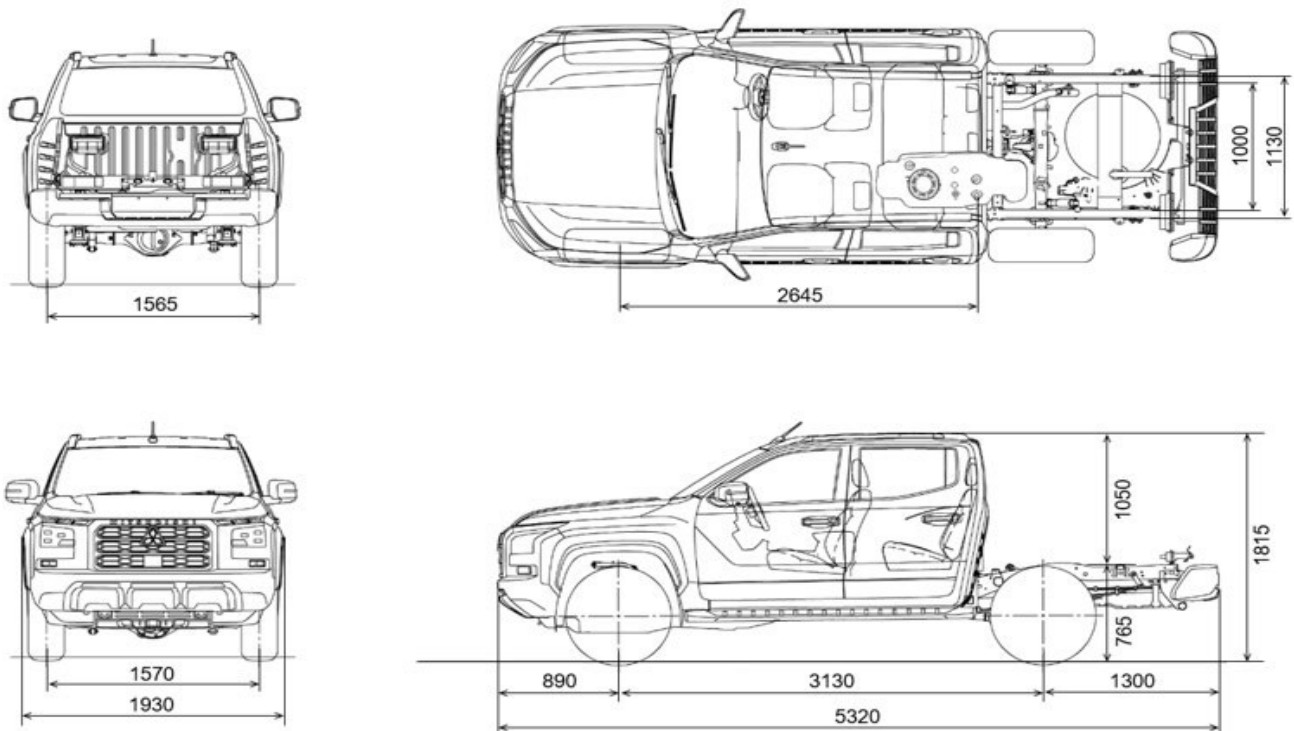


Figure 14

# Body and Equipment Mounting Guide

## Recommended dimension of completed vehicle.

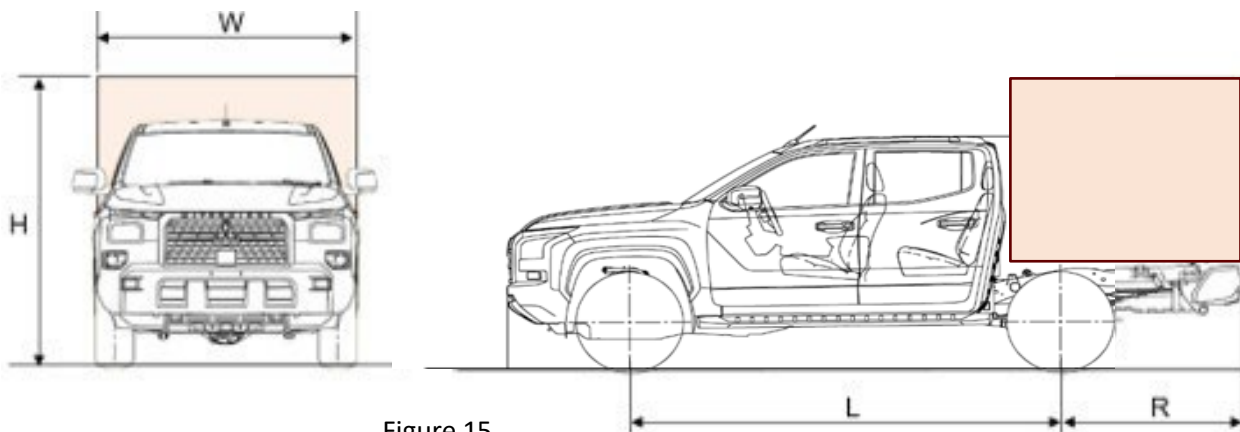


Figure 15

R	Maximum rear overhang	1300 mm (*1) or less	*1: 1425mm
W	Maximum body width	1865 mm (*2) or less	*2: 1945mm
H	Maximum overall height (unladen)	2300 mm or less	

Note: \*1,\*2) In case of Genuine Accessory (Aluminium tray / Steel tray), shown dimension is maximum.

More details should be complied with "3. Instructions of Equipment for Rear Body".

### 4WD Club Cab

Drive	Body Type	Model-Grade	Steering
4WD	Club Cab	LC2TCJDPDR8	RHD
		LC2CLDPDR8	

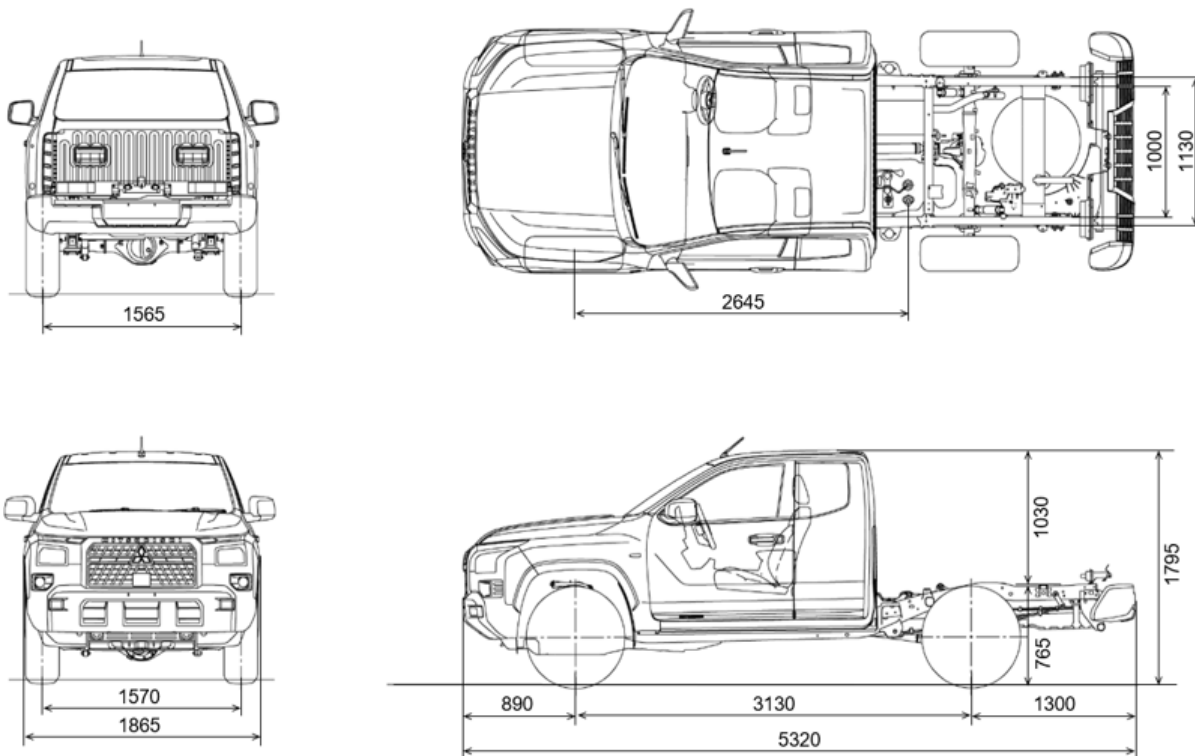


Figure 16



# Body and Equipment Mounting Guide

## Recommended dimension of completed vehicle.

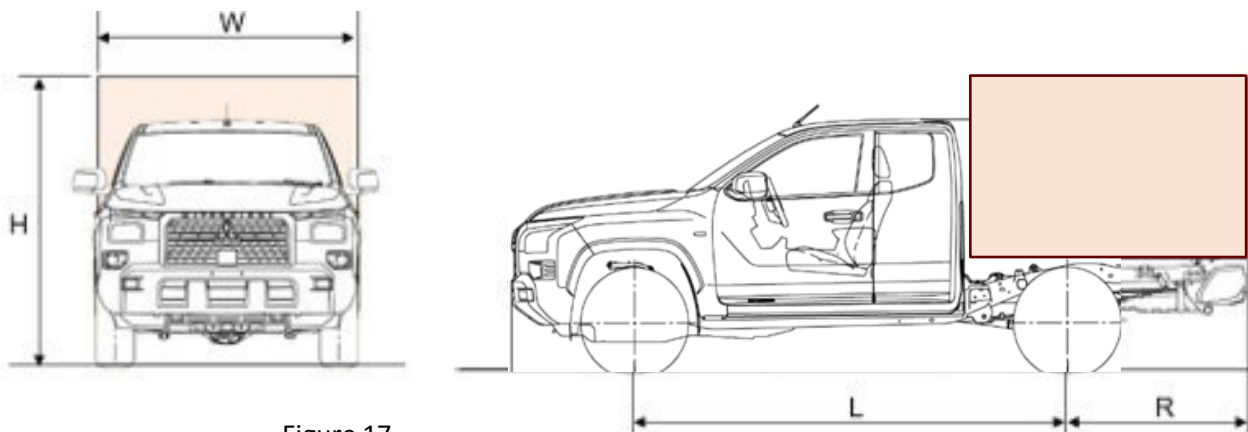


Figure 17

R	Maximum rear overhang	1300 mm (*1) or less	*1: 1395mm
W	Maximum body width	1865 mm (*2) or less	*2: 1945mm
H	Maximum overall height (unladen)	2300 mm or less	

Note: \*1,\*2) In case of Genuine Accessory (Aluminium tray / Steel tray), shown dimension is maximum.

More details should be complied with "3. Instructions of Equipment for Rear Body".

### 2WD HIGH RIDER & 4WD Single Cab

Drive	Body Type	Model-Grade	Steering
2WD H/R	Single Cab	LB2TYJDPDR8	RHD
		LB2TYLDPDR8	
4WD		LC2TYJDPDR8	
		LC2TYLDPDR8	

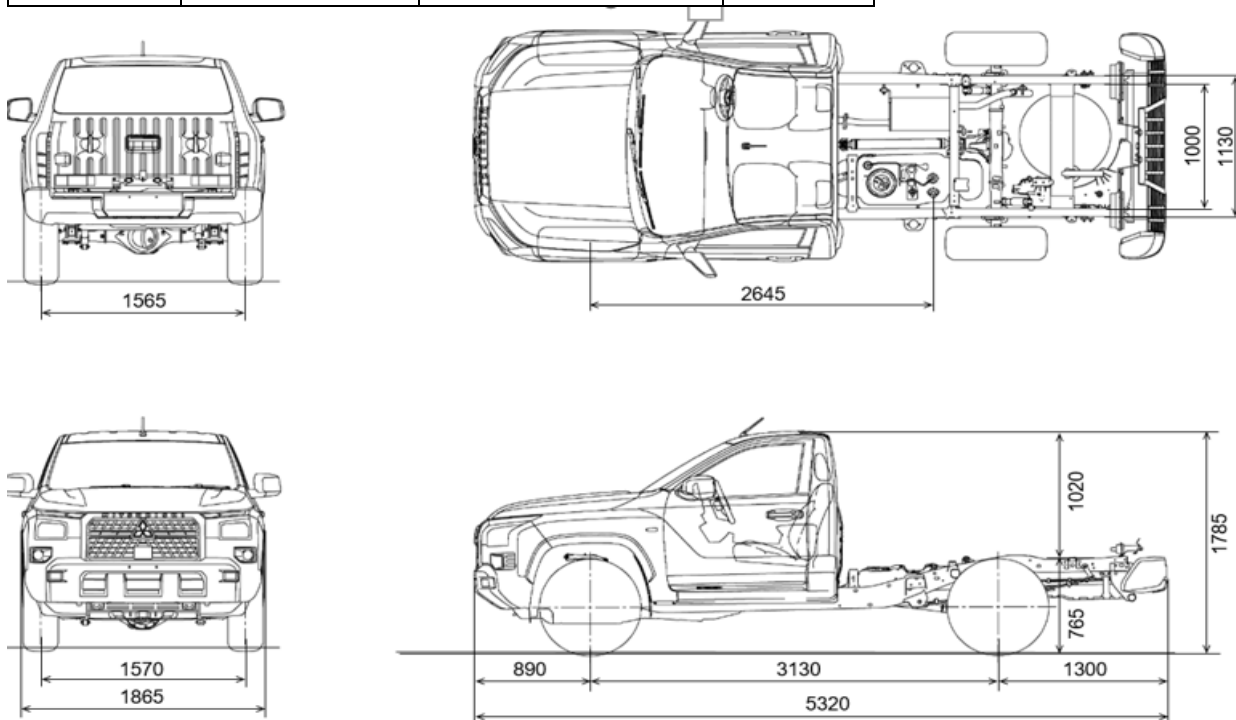


Figure 18

# Body and Equipment Mounting Guide

## Recommended dimension of completed vehicle.

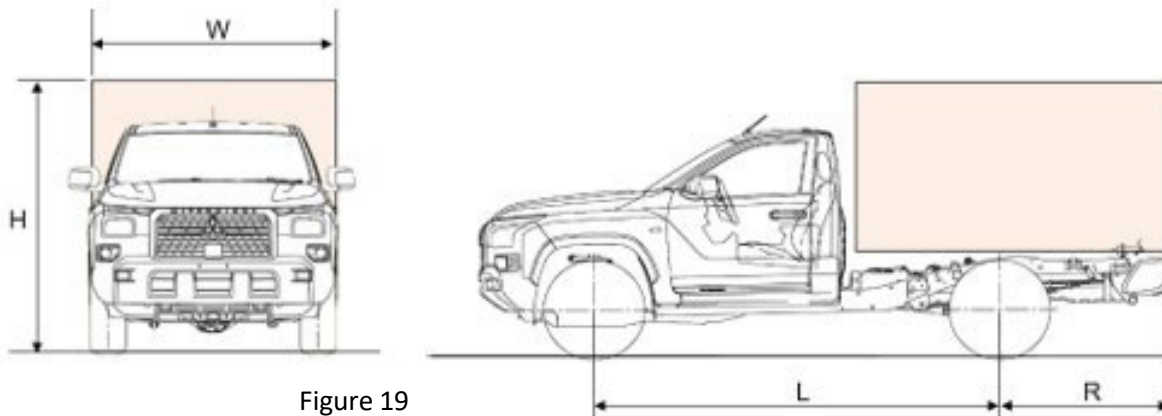


Figure 19

R	Maximum rear overhang	1300 mm (*1) or less	*1: 1370mm
W	Maximum body width	1865 mm (*2) or less	*2: 1945mm
H	Maximum overall height (unladen)	2300 mm or less	

Note: \*1, \*2) In case of Genuine Accessory (Aluminium tray / Steel tray), shown dimension is maximum.

More details should be complied with "3. Instructions of Equipment for Rear Body".

# Body and Equipment Mounting Guide

## 4.2 Frame Drawings

### Double Cab ( 2WD HIGH RIDER & 4WD )

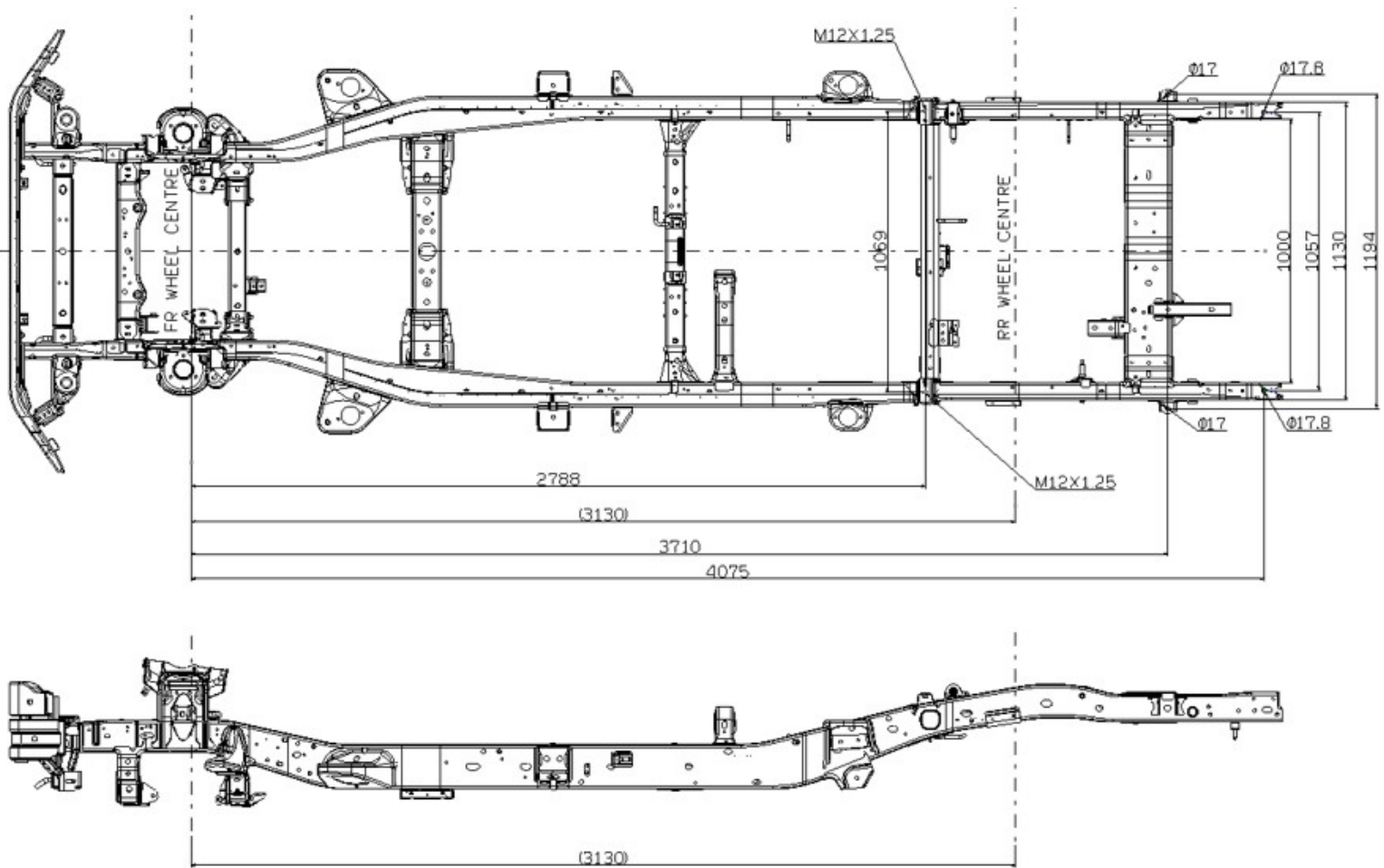


Figure 20

# Body and Equipment Mounting Guide

## 4.2 Frame Drawings

### Club Cab (4WD)

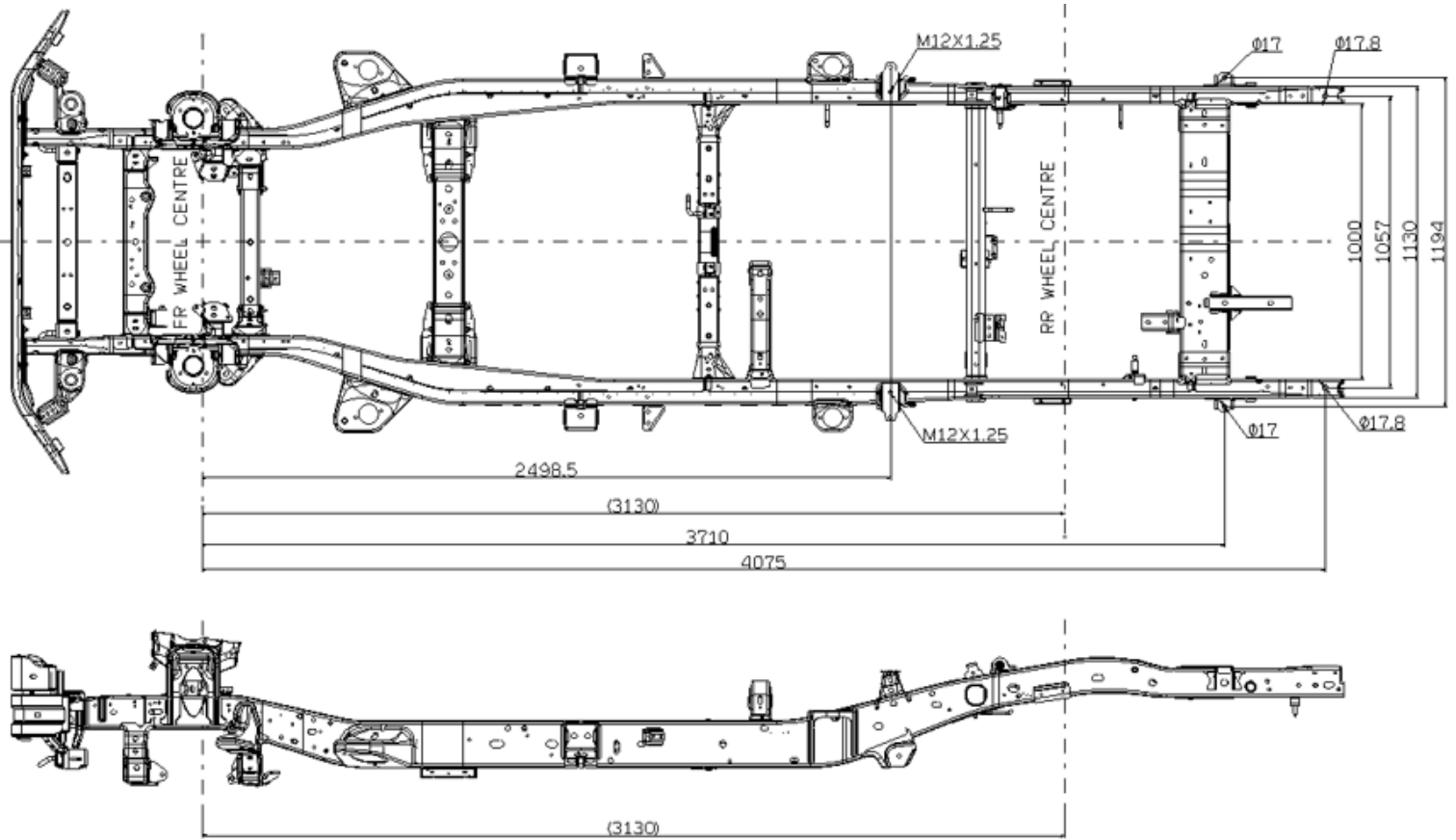


Figure 21

# Body and Equipment Mounting Guide

## 4.2 Frame Drawings

### Single Cab (2WD HIGH RIDER & 4WD)

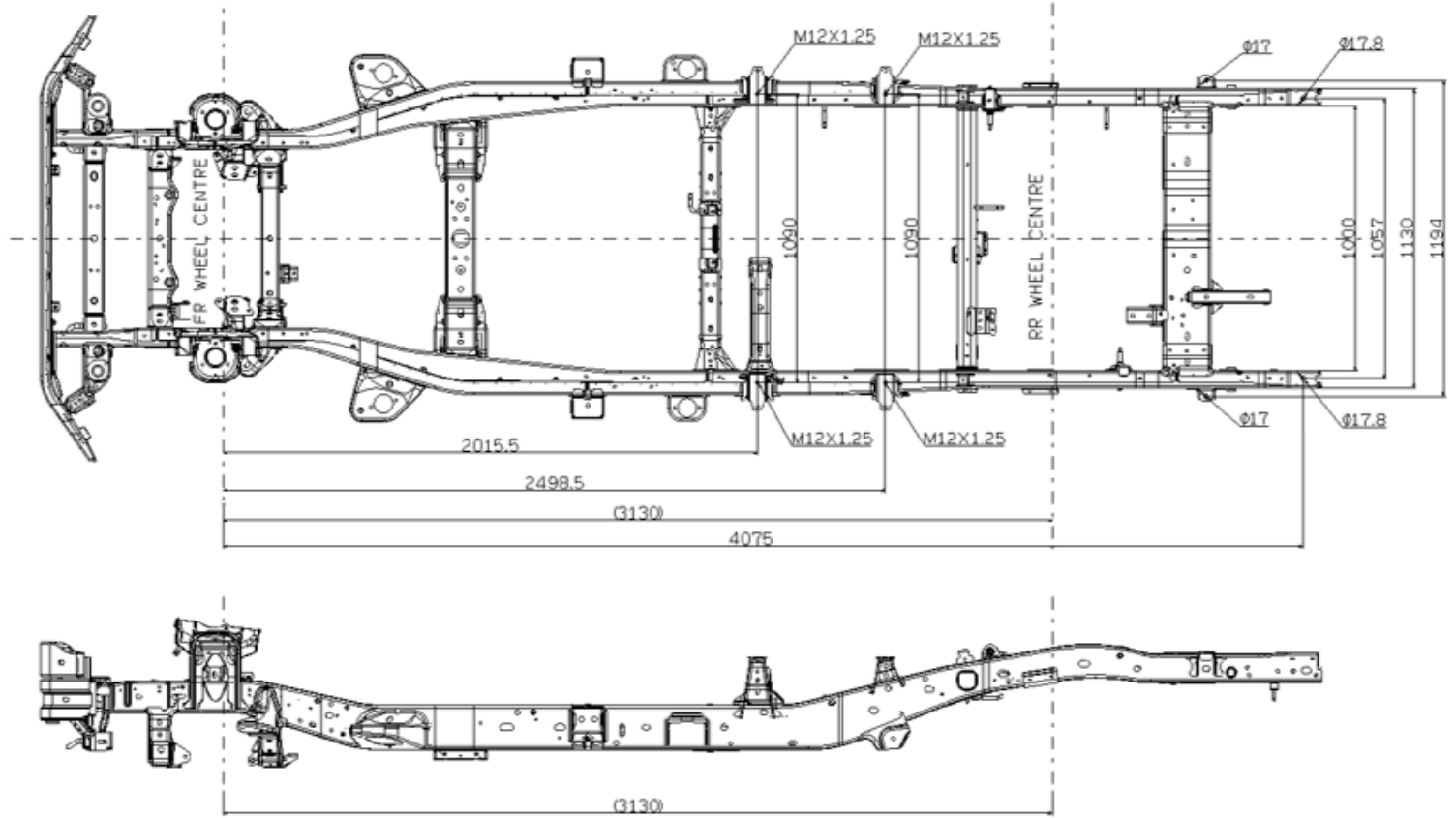


Figure 22

# Body and Equipment Mounting Guide

## 4.3 Details of Rear View Mirrors

### 2WD HIGH RIDER & 4WD Double cab

Drive	Body Type	Model-Grade	Steering
2WD H/R	Double Cab	LB2TJLDPDR8	RHD
		LB2TJLHPDR8	
		LB2TJLPPDR8	
4WD		LC2TJJDPDR8	
		LC2TJJHPDR8	
		LC2TJLDPDR8	
		LC2TJLHPDR8	
		LC2TJLPPDR8	
		LC2TJLMPDR8	
		LC2TJLNPDR8	

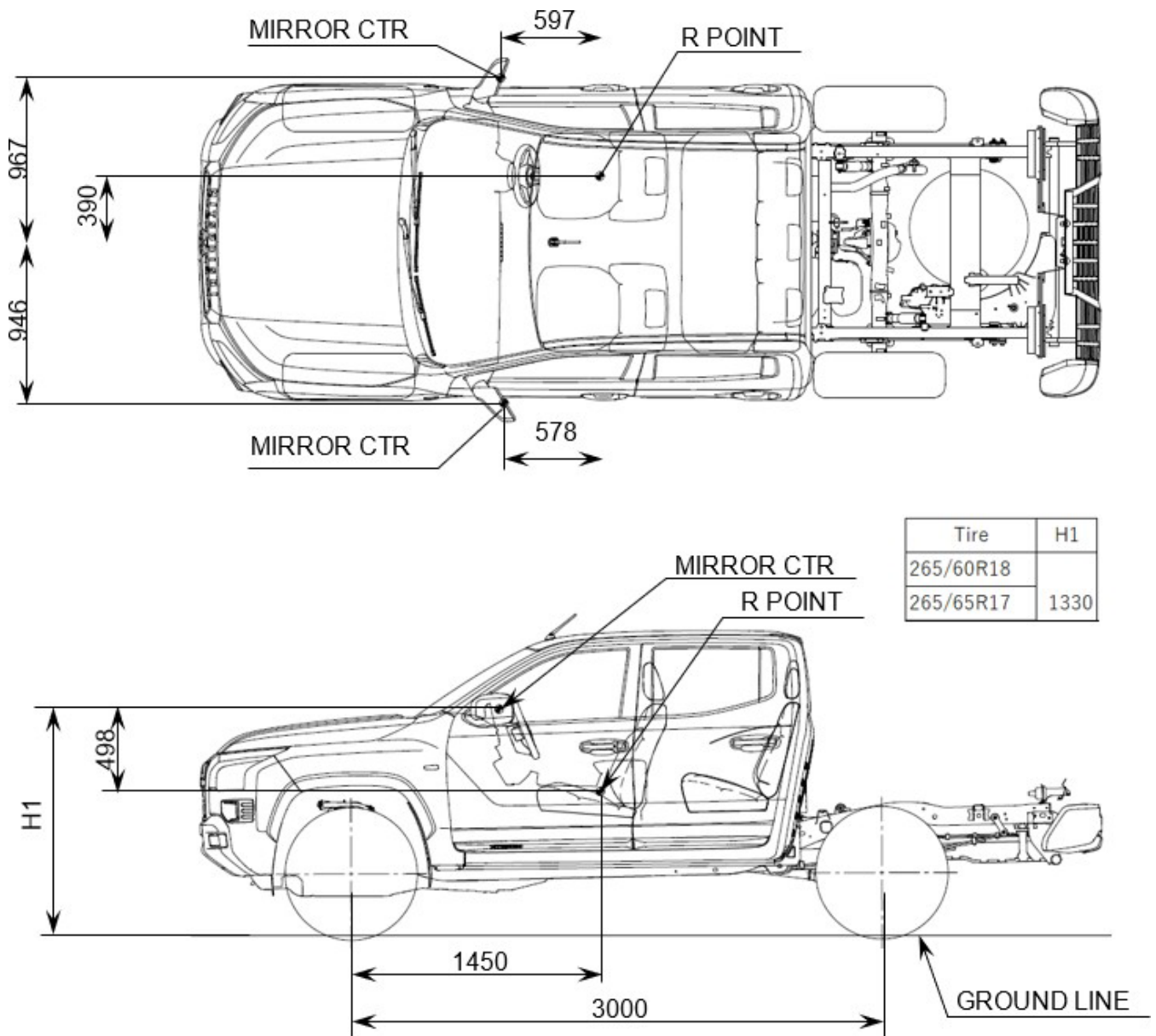


Figure 23

# Body and Equipment Mounting Guide

## 4.3 Details of Rear View Mirrors

### 2WD HIGH RIDER & 4WD Single cab

Drive	Body Type	Model-Grade	Steering
2WD H/R	Single Cab	LB2TYJDPDR8	RHD
		LB2TYLDPDR8	
4WD		LC2TYJDPDR8	
		LC2TYLDPDR8	

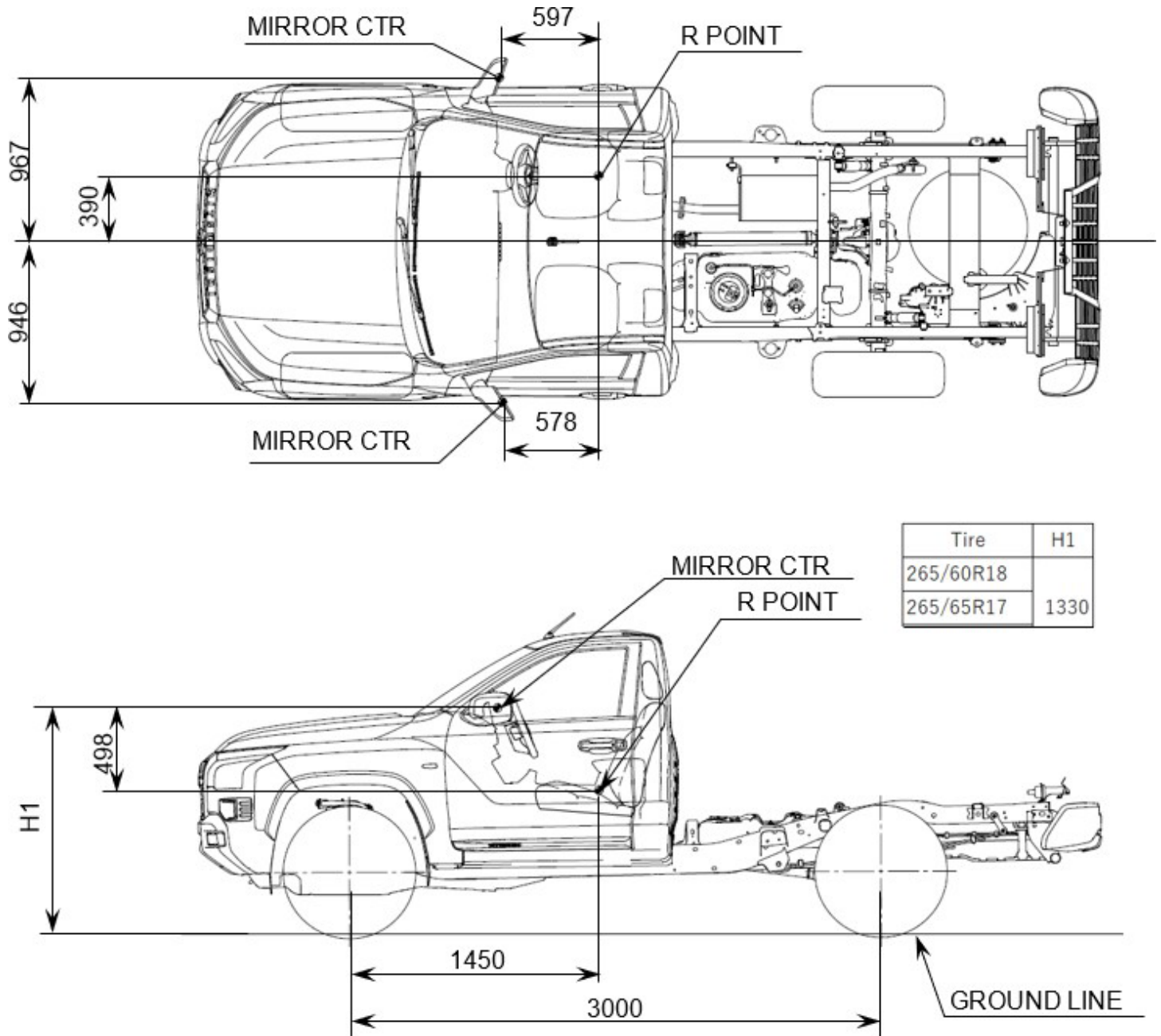


Figure 24

# Body and Equipment Mounting Guide

## 4.3 Details of Rear View Mirrors

### 4WD Club cab

Drive	Body Type	Model-Grade	Steering
4WD	Club Cab	LC2TCJDPDR8	RHD
		LC2TCLDPDR8	

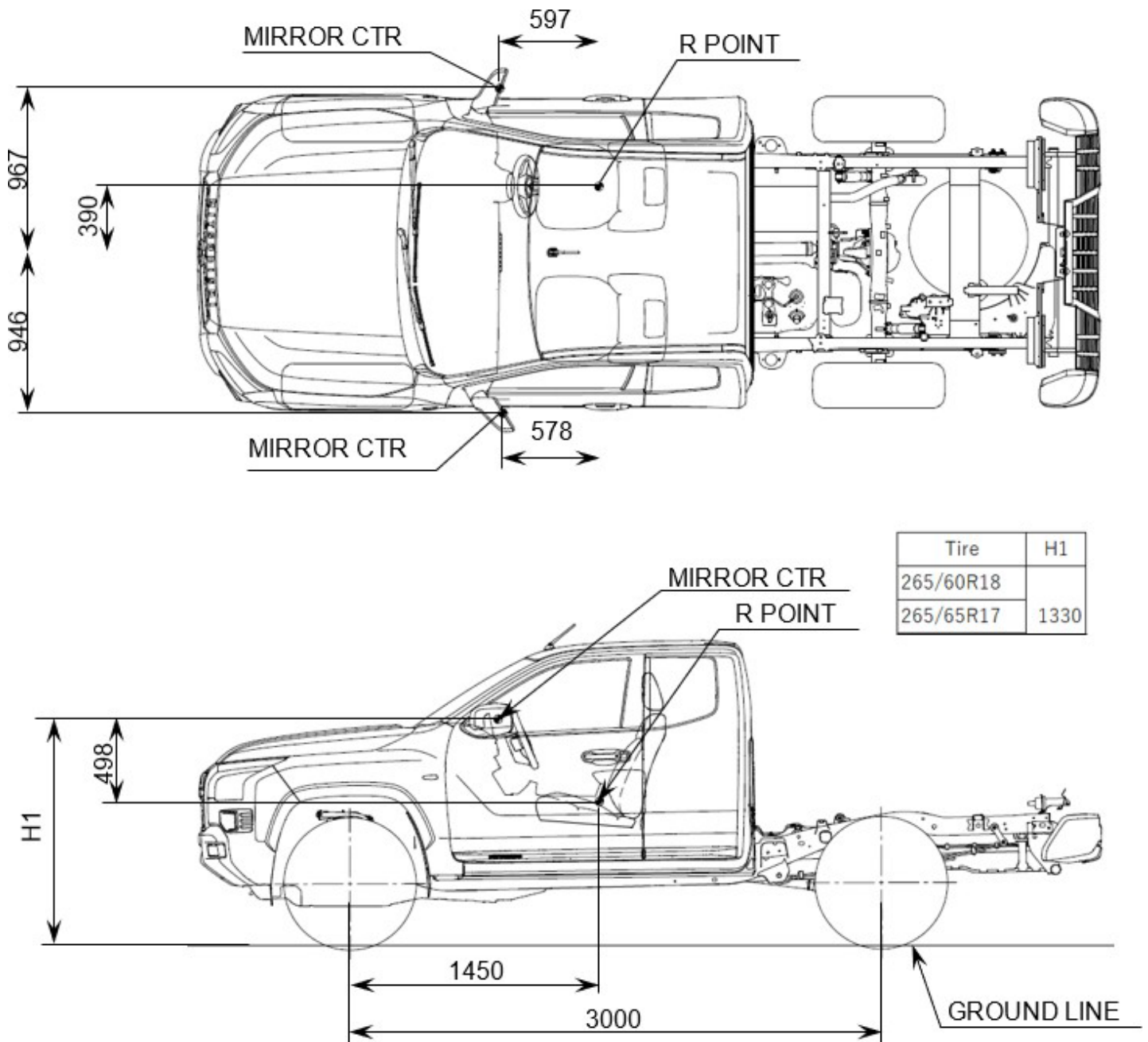


Figure 25



# Body and Equipment Mounting Guide

## 4.3 Details of Rear View Mirrors

### Mirror lens pivot detail

RHD IS SHOWN, LHD IS SYMMETRICAL

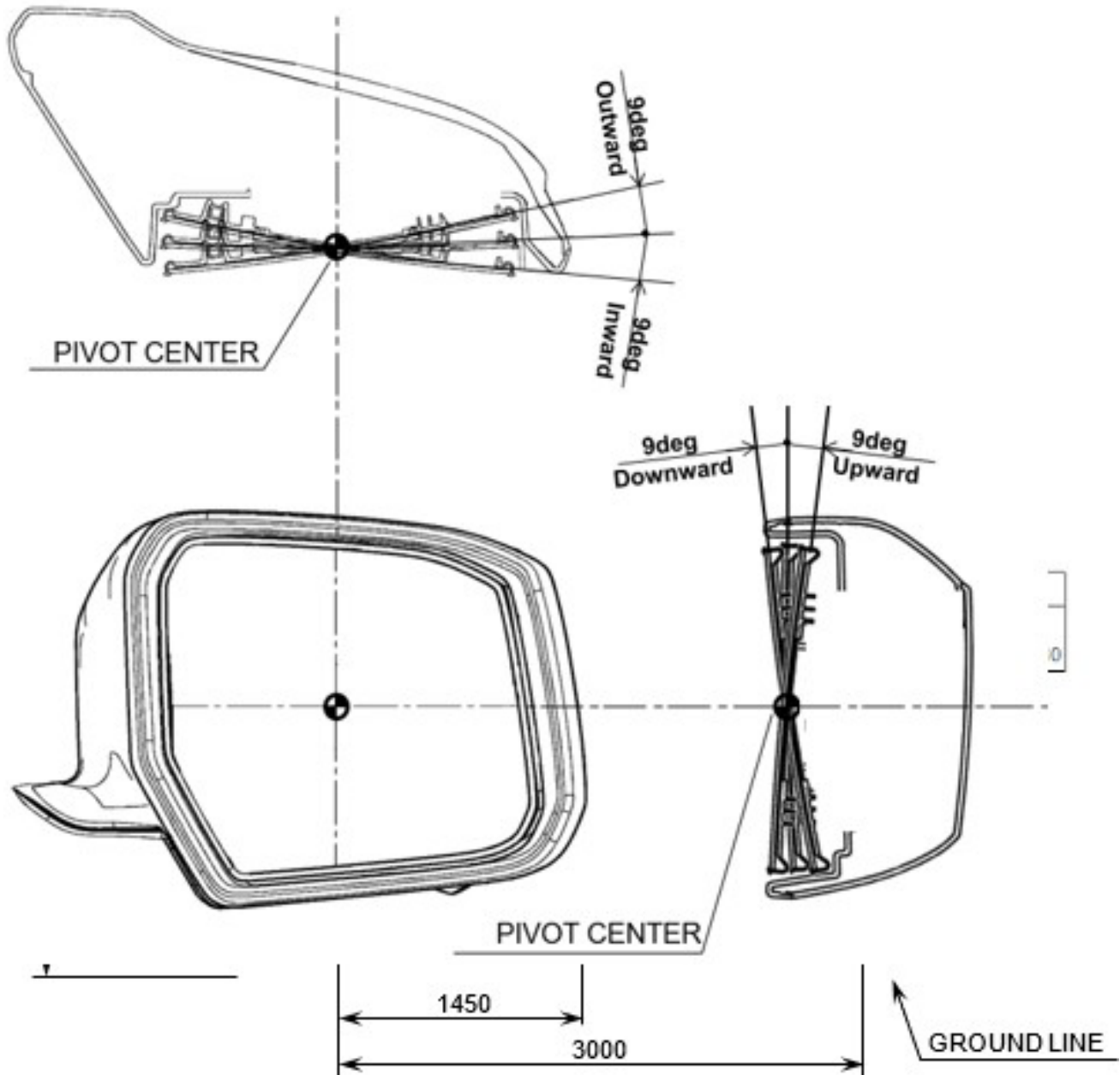


Figure 26

# Body and Equipment Mounting Guide

## 4.3 Details of Rear View Mirrors

### 2WD HIGH RIDER & 4WD Double cab

Drive	Body Type	Model-Grade	Steering
2WD H/R	Double Cab	LB2TJLDPDR8	RHD
		LB2TJLHPDR8	
		LB2TJLPPDR8	
4WD		LC2TJJDPDR8	
		LC2TJJHPDR8	
		LC2TJLDPDR8	
		LC2TJLHPDR8	
		LC2TJLPPDR8	
		LC2TJLMPDR8	
	LC2TJLNPDR8		

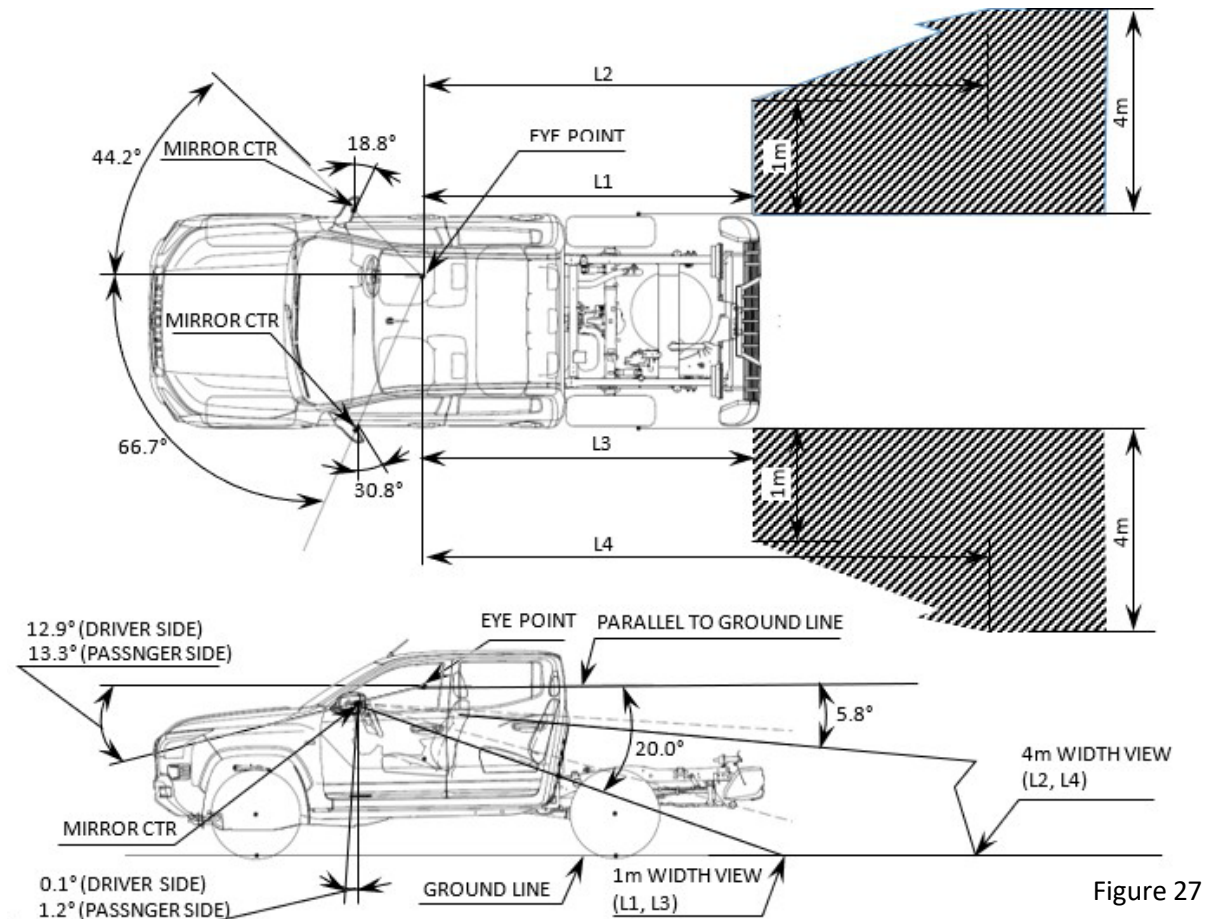


Figure 27

Rr Body Width W	L1	L2	L3	L4
1865mm	4m	20m	4m	20m
Regulation	4m	20m	4m	20m

It is allowed to move door mirror outward using a stay to comply with regulations. In this case, the door mirror must not exceed one side 250mm from "W" width. Rr Body Width "W" is allowed up to 1905mm as optional.

# Body and Equipment Mounting Guide

## 4.3 Details of Rear View Mirrors

### 2WD HIGH RIDER & 4WD Single cab

Drive	Body Type	Model-Grade	Steering
2WD H/R	Single Cab	LB2TYJDPDR8	RHD
		LB2TYLDPDR8	
4WD		LC2TYJDPDR8	
LC2TYLDPDR8			

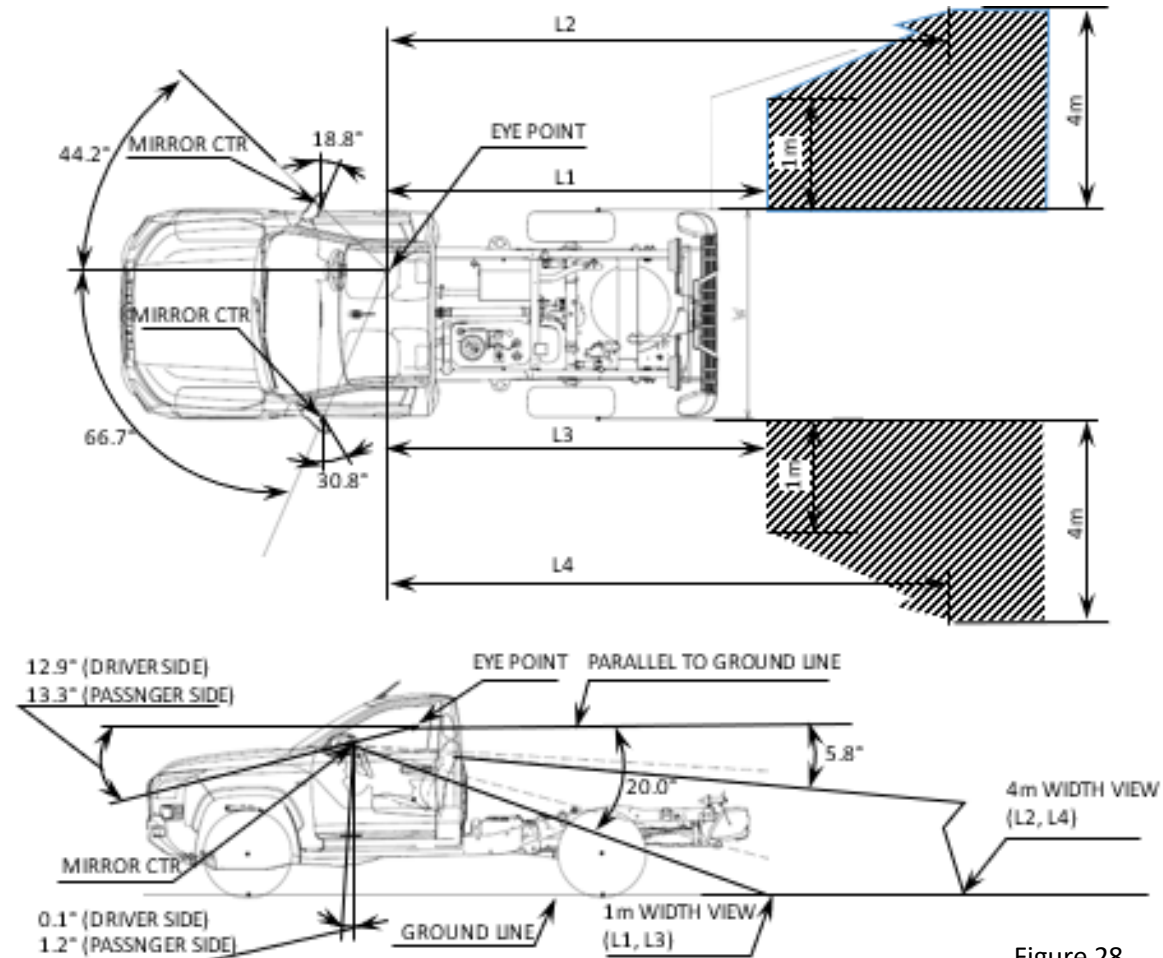


Figure 28

Rr Body Width W	L1	L2	L3	L4
1865mm	4m	20m	4m	20m
Regulation	4m	20m	4m	20m

It is allowed to move door mirror outward using a stay to comply with regulations. In this case, the door mirror must not exceed one side 250mm from "W" width. Rr Body Width "W" is allowed up to 1905mm as optional

# Body and Equipment Mounting Guide

## 4.3 Details of Rear View Mirrors

### 4WD Club cab

Drive	Body Type	Model-Grade	Steering
4WD	Club Cab	LC2TCJDPDR8	RHD
		LC2TCLDPDR8	

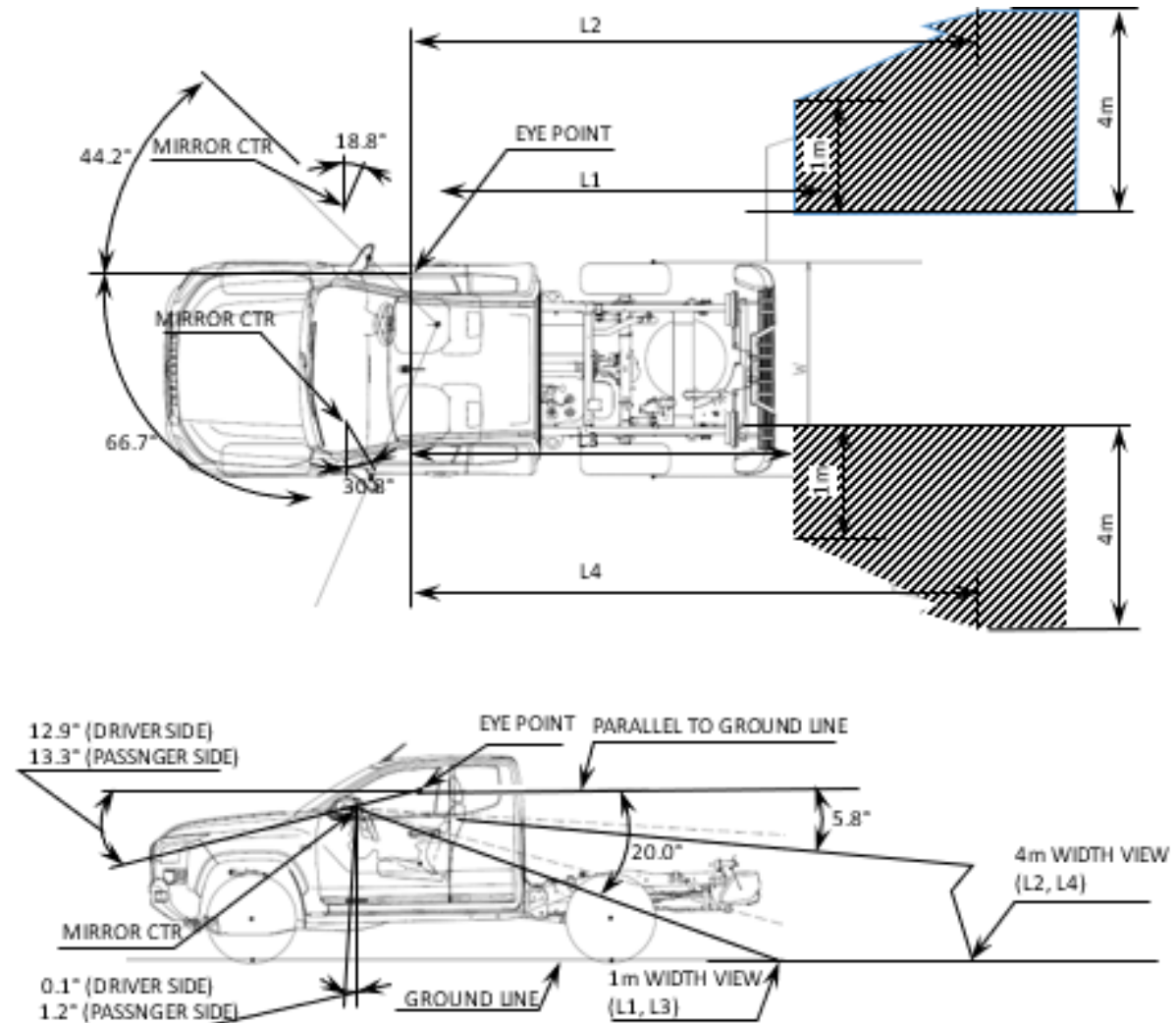


Figure 29

Rr Body Width W	L1	L2	L3	L4
1865mm	4m	20m	4m	20m
Regulation	4m	20m	4m	20m

It is allowed to move door mirror outward using a stay to comply with regulations. In this case, the door mirror must not exceed one side 250mm from "W" width. Rr Body Width "W" is allowed up to 1905mm as optional.

# Body and Equipment Mounting Guide

## 4.4 Details of Rear View Camera

### 2WD HIGH RIDER & 4WD Double Cab

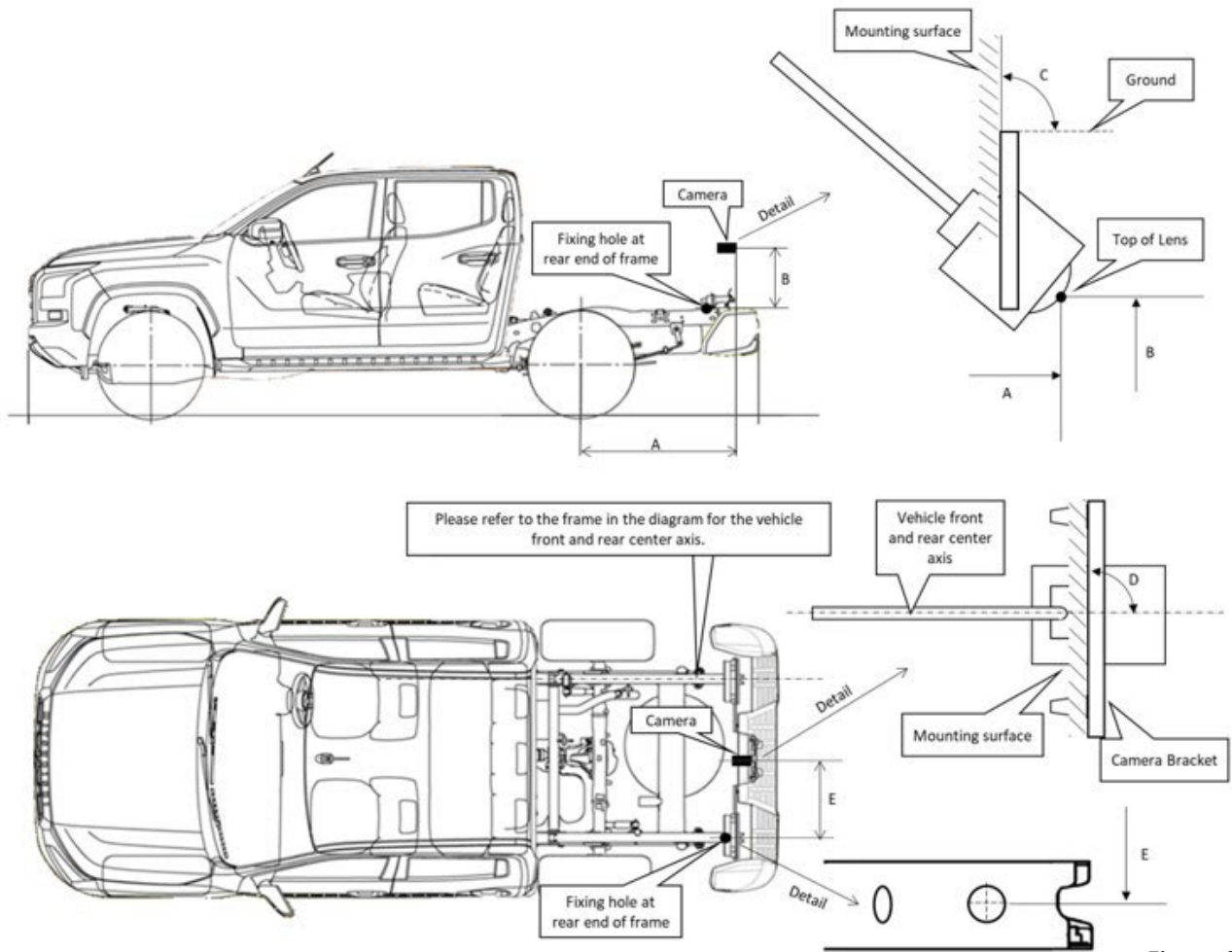


Figure 30

	Description	Dimension(※)
A	Distance from rear wheel centre to top of lens	1230 ~ 1235 mm
B	Distance from fixing hole at rear end of frame(LH) to top of lens	370 ~ 410 mm
C	Angle of Camera (Horizontal) (The angle between the ground and the camera bracket mounting surface.)	89~91°
D	Angle of Camera (Vertical) (The angle between the vehicle front and rear centre axis and the camera bracket mounting surface. Please refer to the frame in the diagram for the vehicle front and rear centre axis.)	89~91°
E	Distance from fixing hole at rear end of frame(LH) to top of lens	350 ~ 530 mm

# Body and Equipment Mounting Guide

- ※ This position is the manufacturer's recommended position
- ※ The illustration shows a Double Cab, but the dimensions are the same for Club Cab and Single Cab.
- ※ Cameras and camera brackets are intended to be used as authorized.
- ※ Mount the camera bracket to the mounting surface without any gap.
- ※ Attach the camera so that the lens points downwards from horizontal at the rear.

## Notes.

- The rear view camera must be installed in the recommended position to maintain the field of view.

# Body and Equipment Mounting Guide

## 4.5 Details of ADAS System

### 1) Front Camera

Mitsubishi Triton Cab Chassis vehicles are equipped with a windscreen mounted Front Camera for FCM, AHB and ACC operation.

### ! CAUTION

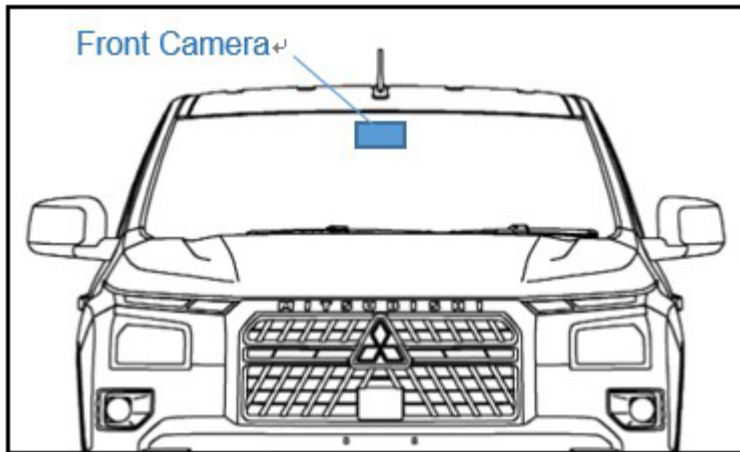


Figure 31

Front Camera may not operate correctly in following condition or situation.

- Vehicle weight beyond GVM.
- Vehicle geometry and attitude (Frame, Suspension, Tyre and etc.) has been changed.
- Front Camera, bracket or cover removed, changed, damaged, covered, dirty or aiming altered.
- Accessories installed on the engine hood, front grille or front bumper that could interfere with the Front Camera's field of view.
- Long structures installed on the roof that could interfere with the Front Camera's field of view.
- Any form of object (stickers, plastic board, transparent film, ext.) applied to the windshield in front of the camera.
- Any film or liquid applied to the windshield in front of the camera.
- Light or reflection directed at the Front Camera.

# Body and Equipment Mounting Guide

## 4.5 Details of ADAS System

### 2) Front Radar

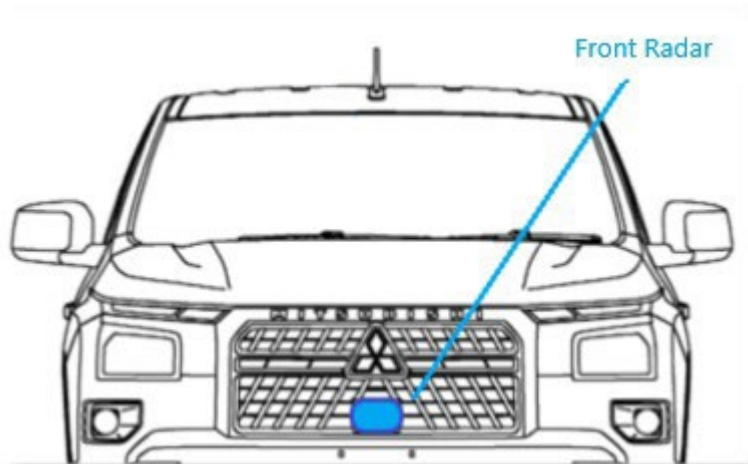


Figure 32

Front Camera may not operate correctly in following condition or situation.

- Vehicle weight beyond GVM.
- Vehicle geometry and attitude (Frame, Suspension, Tyre and etc.) has been changed.
- Front Radar, bracket or cover removed, changed, damaged, covered, dirty or aiming altered.
- Accessories installed on the engine hood, front grille or front bumper that could interfere with the Front Radar's field of view.
- Any form of object (stickers, plastic board, transparent film, ext.) applied to the windshield in front of the radar.
- Light or reflection directed at the Front Radar.



# Body and Equipment Mounting Guide

## 4.5 Details of ADAS System

### 3) Side-Radar

Mitsubishi Triton Cab Chassis vehicles are equipped Rear side-radar for BSW (With LCA), RCTA and Front side-radar for FCTA.

#### ! CAUTION

The side-radar sensor may not operation correctly in the follow condition or situation.

- Vehicle weight is over GVM.
- Vehicle geometry and attitude(Frame, Suspension, Tyre and etc.) are changed.
- Radar sensor removed.
- Radar sensor position or angle is changed.
- Radar sensor or radar bracket is changed
- Radar sensor or radar bracket is damaged
- Strong impact inflicted to radar or radar bracket.
- Bumper removed , damaged or deformed.
- Paint the bumper around the radar sensor.
- Covering the radar sensor while driving.
- Radar bracket and bumper with non-MMC genuine part.
- The some parts it emitter the radio wave around the radar sensor.
- Sticker around the Radar
- The power supply is shared with other device.
- Convert of Radar.

#### 1) The Radio wave area

Do not install parts within,the radio wave area. If parts block the radio wave area, the radar performance is reduced or non functional.

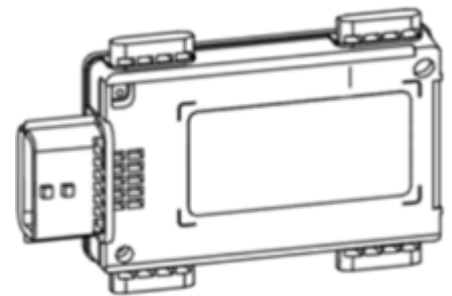


Figure 33

# Body and Equipment Mounting Guide

## 4.5 Details of ADAS System

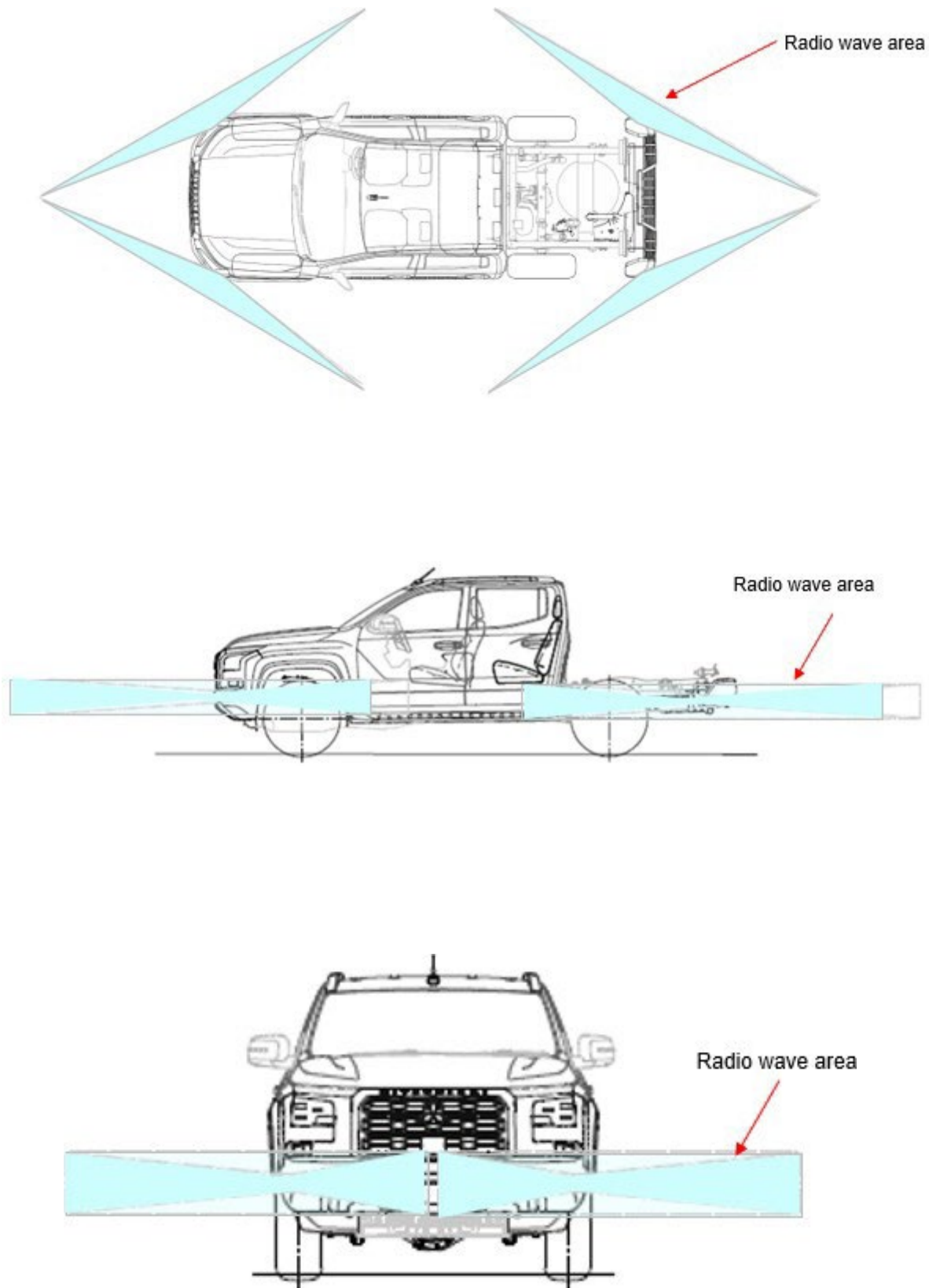


Figure 34

# Body and Equipment Mounting Guide

## 4.5 Details of ADAS System

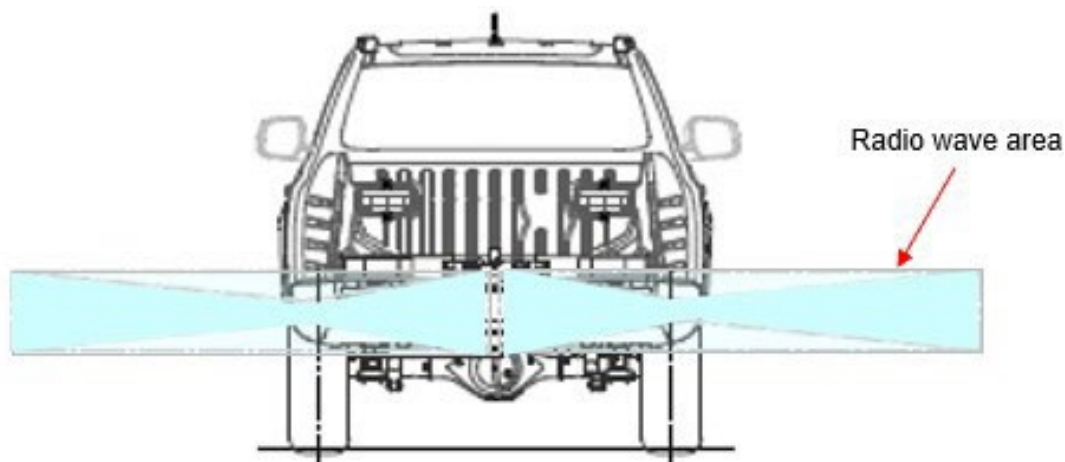


Figure 35

### Notes

After the accessory parts are retrofitted, please check the vehicle by driving. (Over 50km/h and Yaw rate less than  $1^{\circ}/\text{sec}$ , Total over 15minutes). When this process is performed, please switch BSW on in the instrument cluster settings menu.

※Refer to "Service manual: CRUISE CONTROL DRIVER ASSISTANCE - DRIVER ASSISTANCE SYSTEM - DRIVER ASSISTANCE SYSTEM - BASIC INSPECTION - SIDE RADAR ALIGNMENT"

After driving please check the radar alignment angle and DTC at an authorised Mitsubishi dealer.

- If radar is removed to install accessory parts, please confirm the radar calibration at an authorised Mitsubishi dealer after the radar is reinstalled.

# Body and Equipment Mounting Guide

## 4.5 Details of ADAS System

### 4) Parking sensor system

Mitsubishi Triton Cab Chassis vehicles are equipped with sensors for the "Parking sensor system" and "Rear AEB"

#### ! CAUTION

The parking sensor may not operation correctly in the follow condition or situation.

- Vehicle weight is over GVM.
- Altering certain parts can decide the vehicle geometry and attitude (Frame, Suspension, Tyre and etc.) when they are changed.
- Parking sensor removed.
- Parking sensor position or angle is changed.
- Parking sensor or Parking bracket is changed.
- Parking sensor or Parking bracket is damaged.
- Strong impact inflicted to Parking sensor or Bumper around parking sensor.
- Bumper removed, has been damaged or deformed.
- Paint the bumper around the parking sensor and parking sensor.
- Covering the Parking sensor while operating.
- Parking sensor bracket and bumper with non-MMC genuine part.
- The accessory parts that emit the radio wave, cold air, hot air and noise around the Parking sensor.
- Sticker around the Parking sensor.
- The power supply share other device.
- Convert of Parking sensor.
- Some parts attached with bumper.

Ultrasonic wave radiated area

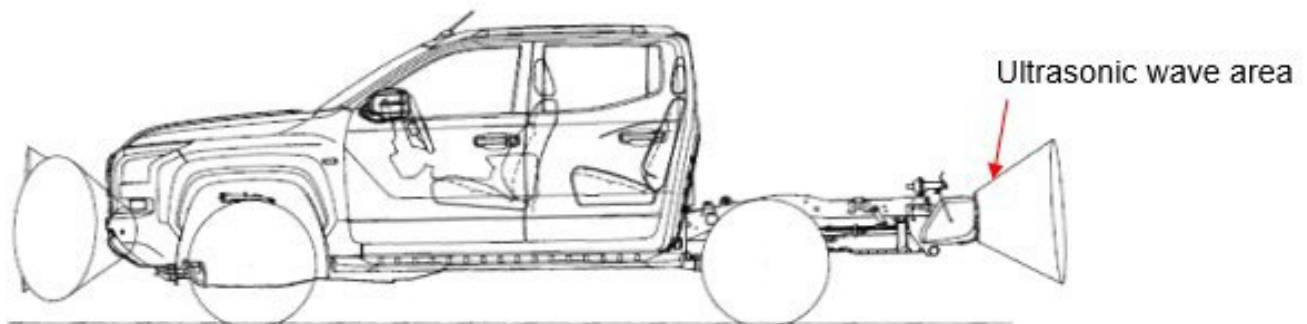


Figure 36

# Body and Equipment Mounting Guide

## 4.5 Details of ADAS System

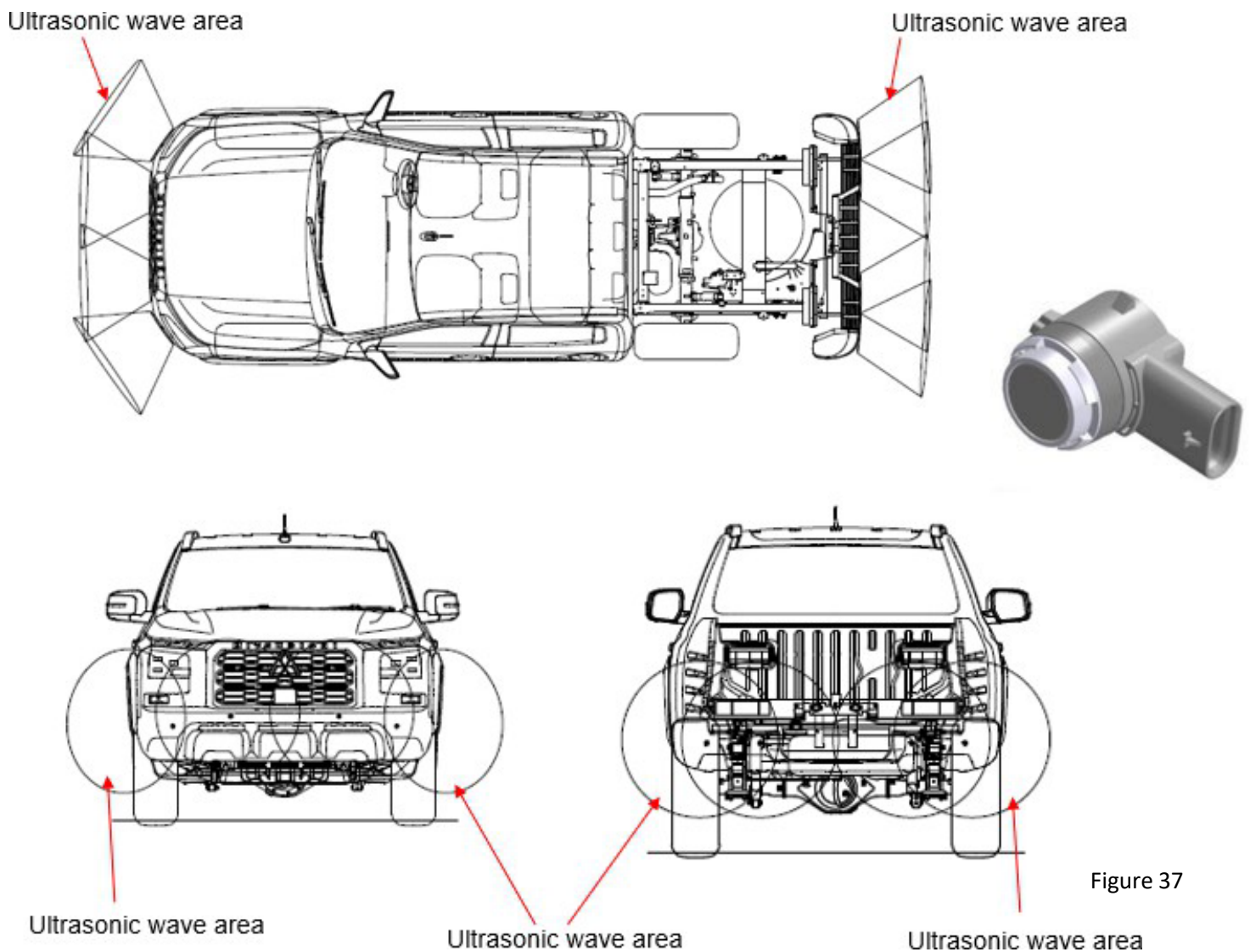


Figure 37

The alert of parking sensor system is defined by distance from bumper. If tray or other equipment is longer than bumper, there is possibility of a collision before alert.

### Note

- After the parts are installed, please check the DTC \* and operation at an authorised Mitsubishi-Motors dealer.